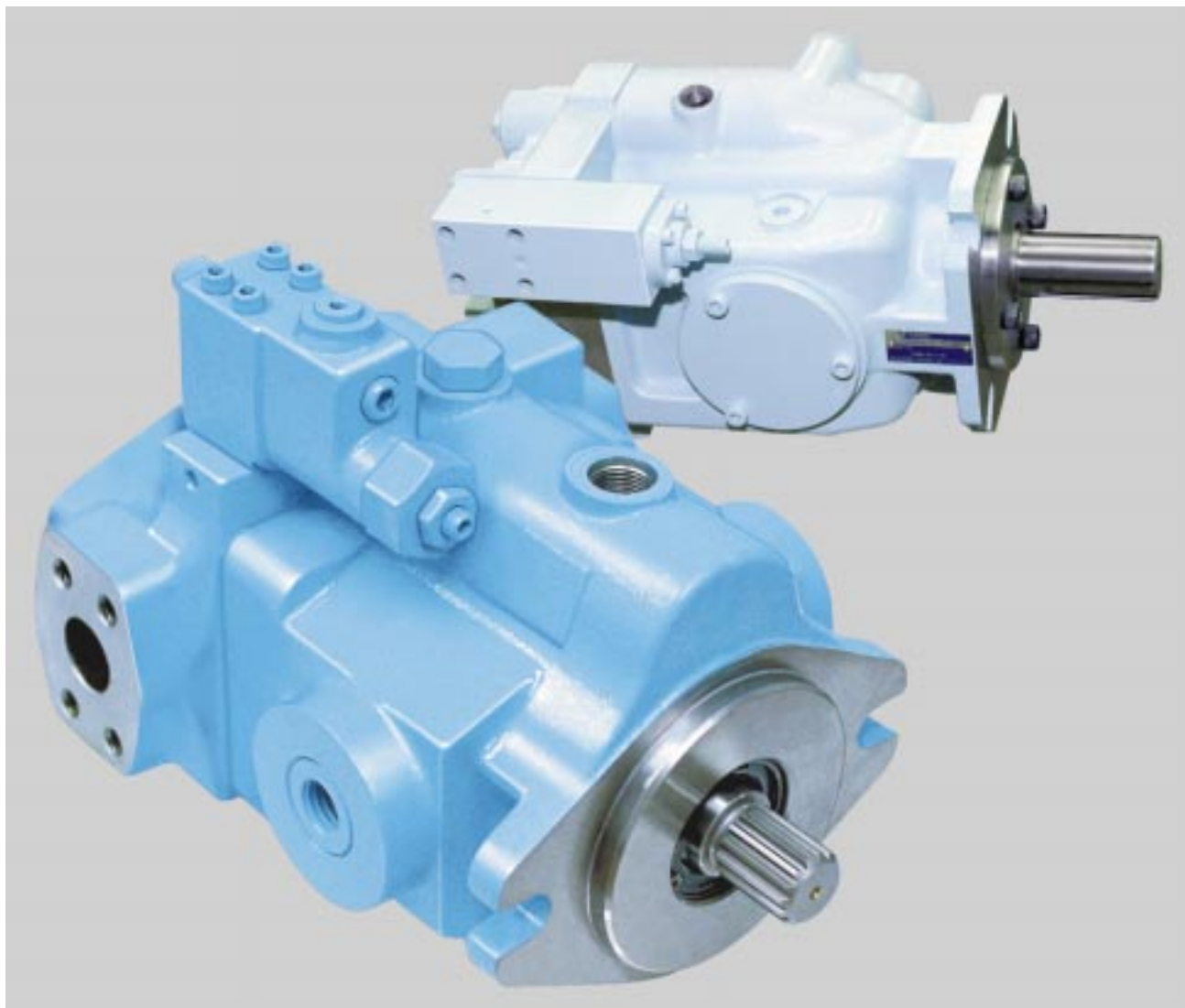


DENISON HYDRAULICS

PV, PVT Series

piston pumps for open circuits



Publ. 1-AM0009 (replaces 1-AM009-E)

DENISON Hydraulics

E-Mail: denison@denisonhydraulics.com Internet: <http://www.denisonhydraulics.com>

	PAGE
data3
typical characteristics3
fluid connections4
maximum allowable through drive torque4
higher speed guide5
features6
benefits and features6
description7
general7
operation of pump7
rear drive7
shaft options7
input shaft information7
side load capability7
shaft bearing life7
piping7
service information8
recommended fluids8
viscosity8
viscosity index8
temperature8
maintenance8
fluid cleanliness8
comparison of solid contamination classification system8
system relief valves9
compensators9-10
installations11
PV611
PV1012
PV1513
PV20/PVM 2014
PV2915
PVT616
PVT1017
PVT1518
PVT20/PVR 2019
PVT2920
PVT3821
PVT4722
PVT6423
PV torque limiters24
F and L compensators25
PVT38, 47, 64 rear drives26-28
SAE - A and SAE - B26
SAE - BB and SAE - C27
SAE - CC and SAE - D28
performance curves29
at 180029-30
at 150031-32
ordering code33
conversions & formulas34

TYPICAL CHARACTERISTICS

Specification	Term	Series	Series	Series	Series	Series	Series	Series	Series	Series	
		PV6 PVT6	PV10 PVT10	PV15 PVT15	PV20 PVT20	PVM20 PVR20	PV29 PVT29	PVT38	PVT47	PVT64	
•displacement at max angle	in ³ /rev.	0.88	1.26	2.09	2.62	2.62	3.78	4.88	6.10	7.93	
	cm ³ /rev.	14.4	20.6	34.2	42.9	42.9	61.9	80.0	100.0	130.0	
•pressure, continuous	psi	3500	3500	3500	3500	3500	3000	4000	4000	4000	
	bar	240	240	240	240	240	207	280	280	280	
intermittent ¹⁾	psi	4500	4500	4500	4500	4500	4000	4350	4350	4350	
	bar	310	310	310	310	310	280	300	300	300	
•speed, max. ²⁾	rpm	3000	3000	2500	2400	2600	2400	1800	1800	1800	
•rotating inertia	lb in ²	2.00	3.3	7.87	11.97	11.97	21.84	27.98	44.39	68.22	
	kg m ²	.0006	.00099	.00233	.00355	.00355	.00647	.00829	.01315	.02021	
•compensator response off-stroke	ms	50	50	50	50	50	50	50	50	50	
	on-stroke	ms	120	120	120	120	120	120	100	100	
•compensator range	psi	130-4000	130-4000	130-4000	130-4000	130-4000	130-3500	215-4000	215-4000	215-4000	
	bar	9-276	9-276	9-276	9-276	9-276	9-241	15-280	15-280	15-280	
•compensator- adjustment	psi/turn	650	650	650	650	650	650	650	650	650	
	bar/turn	44.8	44.8	44.8	44.8	44.8	44.8	44.8	44.8	44.8	
•max. vol. adjustment full to zero- stroke maximum torque ³⁾	turns	8.5	8.5	8.5	9.7	9.7	10.5	13.1	14.0	15.3	
	lb-in	28	25	41	49	49	45				
	Nm	3.2	2.8	4.6	5.5	5.5	5.1				
•minimum inlet- at 1800 rpm	in-Hg	-6.1	-6.1	-6.1	-6.1	-6.1	-6.1	-4.9	-4.9	-4.9	
	mm-Hg	-155	-155	-155	-155	-155	-155	-125	-125	-125	
•maximum inlet- pressure	psi	50	50	50	50	50	50	50	50	50	
	bar	3.4	3.4	3.4	3.4	3.4	3.4	3.5	3.5	3.5	
•max. case pressure	psi	10	10	10	10	10	10	7	7	7	
	bar	0.7	0.7	0.7	0.7	0.7	0.7	0.5	0.5	0.5	
•peak case pressure- over inlet pressure	psi	15	15	15	15	15	15	7	7	7	
	bar	1	1	1	1	1	1	0.5	0.5	0.5	
•input mounting	SAE	82-2 (A)	101-2 (B)	101-2 (B)	127-2 (C)	127-2 (C)	127-2 (C)	127-4 (C)	127-4 (C)	152-4 (D)	
•input shaft, keyed splined	SAE	19-1	22-1	22,25-1 ⁴⁾	32-1	32-1	32-1	38-1	44-1	44-1	
		22-4	22-4	22,25-4 ⁴⁾	32-4	32-4	32-4	38-4	38-4	44-4	
		(A)(B)	(B)	(B,B-B)	(C)	(C)	(C)	(CC)	(D,CC)	(D)	
•shaft bearing life at- 1800 rpm, 2500 psi (*4000 psi)	front bearing	hrs	3100	4800	3500	4400	4400	2100	8776	13789	24720
	rear bearing	hrs	9600	9400	3100	5100	5100	2600	7165	11510	15533
1500 rpm, 172 bar (*280 bar)	front bearing	hrs	3720	5760	4200	5280	5280	2520	10531	16547	29964
	rear bearing	hrs	11520	11280	3720	6120	6120	3120	8598	13812	18640
•weight-approx. -PV, PVM	lb	24	36	43	57	57	73	—	—	—	
	Kg	11	16	20	26	26	33	—	—	—	
•weight-approx. -PVT, PVR	lb	30	45	55	71	71	93	110	156	211	
	Kg	14	20	25	32	32	42	50	71	95	

¹⁾ 10% of operation time, not exceeding 6 successive seconds.²⁾ for speeds over 1800 rpm see higher speeds guideline chart pg. 5.³⁾ this is a maximum torque-actual torque reduces by about 25% at full stroke.⁴⁾ PV15 uses 22-1,22-4 (SAE-B) only

* PVT 38, 47 and 64

FLUID CONNECTIONS

	Term	Series PV6	Series PV10	Series PV15	Series PV20	Series PVM20	Series PV29	Series PVT38	Series PVT47	Series PVT64
•port A PV/PVM (inlet)	SAE St. Thd. BSPP	-12 3/4	-20 1-1/4	-20 1-1/4	-20 1-1/4	-24 1-1/2	-20 1-1/4	N/A N/A	N/A N/A	N/A N/A
•port B PV/PVM (outlet)	SAE St. Thd. BSPP	-12 3/4	-20 1-1/4	-20 1-1/4	-20 1-1/4	-20 1-1/4	-20 1-1/4	N/A N/A	N/A N/A	N/A N/A
•port A (inlet),PVT/PVR SAE code 61 4 bolt flg.	in. mm	1” 25.4	1.25” 31.75	1.5” 38.1	1.5” 38.1	1.5” 38.1	2” 50.8	2” 50.0	2.5” 63.5	2.5” 63.5
•port B (outlet),PVT/PVR SAE code 61 4 bolt flg.	in. mm	.75” 19.1	1” 25.4	1” 25.4	1” 25.4	1” 25.4	1” 25.4	1.5” 38.1	1.5” 38.1	1.5” 38.1
•port D	SAE St. Thd. BSPP	-6 3/8	-8 1/2	-8 1/2	-8 1/2	-8 1/2	-8 1/2	-12 N/A	-12 N/A	-12 N/A
•port V	SAE St. Thd. BSPP	-4 1/4	-4 1/4	-4 1/4	-4 1/4	-4 1/4	-4 1/4	-4 N/A	-4 N/A	-4 N/A

MAXIMUM ALLOWABLE THROUGH DRIVE TORQUE

Max. input torque: max. torque allowed on input shaft from the combined torques of front and rear pumps.
Max. rear drive torque: max. torque allowed from rear pump.

	input shaft	max. input torque lbs-in.(Nm)	rear mounting pad	rear drive coupling (spline)	max. rear drive torque lbs-in.(Nm)
PVT6	SAE-19-1 (A) key	1125 (127,1)	SAE-82-2 (A)	SAE-16-4 (A)	1125 (127,1)
	SAE-22-4 (B) spline	2025 (228,8)		SAE-22-4 (B)	1125 (127,1)
PVT10	SAE-22-1 (B) key	1680 (189,8)	SAE-82-2,101-2 (A,B)	SAE-16-4 (A)	1680 (189,8)
	SAE-22-4 (B) spline	2550 (288,1)		SAE-22-4 (B)	1925 (217,5)
PVT15	SAE-22-1 (B) key	1680 (189,8)	SAE-82-2,101-2 (A,B)	SAE-16-4 (A)	1680 (189,8)
	SAE-22-4 (B) spline	2185 (246,9)		SAE-22-4 (B)	2000 (226)
	SAE-25-1 (B-B) key	2850 (332)		SAE-25-4 (B-B)	2000 (226)
	SAE-25-4 (B-B) spline	3825 (432,2)			2000 (226)
PVT20 PVR20	SAE-32-1 (C) key	4675 (528,3)	SAE-82-2,101-2,127-2 (A,B,C)	SAE-16-4 (A)	3850 (435)
	SAE-32-4 (C) spline	4675 (528,3)		SAE-22-4 (B)	3850 (435)
PVT29	SAE-32-1 (C) key SAE-32-4 (C) spline	4880 (551,4) 6300 (711,9)	SAE-82-2,101-2,127-2 (A,B,C)	SAE-16-4 (A)	3850 (435)
				SAE-22-4 (B)	3850 (435)
				SAE-25-4 (B-B)	
				SAE-32-4 (C)	
PVT38	SAE-38-4 (CC) spline SAE-38-2 (CC) key	6501 (735) 6501 (735)	SAE -82-2, 101-2,127-2 (A,B,C)	SAE-16-4 (A)	3007 (340)
				SAE-22-4 (B)	
				SAE-25-4 (B-B)	
				SAE-32-4 (C)	
PVT47	SAE-38-4 (CC) spline SAE-44-2 (D) key	8756 (990) 8756 (990)	SAE-82-2,101-2,127-2 (A,B,C)	SAE-16-4 (A)	5660 (640)
				SAE-22-4 (B)	
				SAE-25-4 (B-B)	
				SAE-32-4 (C)	
PVT64	SAE-38-4 (D) spline SAE-44-2 (D) key	11365 (1285) 11365 (1285)	SAE-82-2, 101-2, 127-2, 127-4, 152-4 (A,B,C,D)	SAE-16-4 (A)	5660 (640)
				SAE-22-4 (B)	
				SAE-25-4 (B-B)	
				SAE-32-4 (C)	
				SAE-38-4 (C-C)	
				SAE-44-4 (D)	

HIGHER SPEED GUIDES

Speed	Minimum inlet pressure				maximum case pressure		
	pressure gage		absolute pressure		psi bar		
	psi	bar	psi	bar			
PV6 PVT6	1800	-3.0	-0,2	11.7	0,8	10	0,7
	2050	-3.0	-0,2	11.7	0,8	7	0,5
	2100	-3.0	-0,2	11.7	0,8	5	0,3
	2750	-2.4	-0,2	12.4	0,9	5	0,3
	2900	-1.0	-0,1	13.7	1,0	5	0,3
	3000	0.0	0,0	14.7	1,0	5	0,3
PV10 PVT10	1800	-3.0	-0,2	11.7	0,8	10	0,7
	2100	-3.0	-0,2	11.7	0,8	7	0,5
	2500	-3.0	-0,2	11.7	0,8	5	0,3
	2550	-2.5	-0,2	12.2	0,8	5	0,3
	2700	-1.0	-0,1	13.7	0,9	5	0,3
	2800	0.0	0,0	14.7	1,0	5	0,3
	3000	2.2	0,2	16.9	1,2	5	0,3
PV15 PVT15	1800	-3.0	-0,2	11.7	0,8	10	0,7
	2100	-3.0	-0,2	11.7	0,8	7	0,5
	2230	-3.0	-0,2	11.7	0,8	5	0,3
	2275	-2.5	-0,2	12.2	0,8	5	0,3
	2350	-1.7	-0,1	13.0	0,9	5	0,3
	2500	0.0	0,0	14.7	1,0	5	0,3
PV20 PVT20	1800	-3.0	-0,2	11.7	0,8	10	0,7
	2050	-3.0	-0,2	11.7	0,8	7	0,5
	2100	-2.5	-0,2	12.3	0,9	5	0,3
	2200	-1.3	-0,1	13.5	0,9	5	0,3
	2300	-0.0	-0,0	14.7	1,0	5	0,3
	2400	1.3	0,1	16.0	1,1	5	0,3
PVM20 PVR20	1800	-3.0	-0,2	11.7	0,8	10	0,7
	2000	-3.0	-0,2	11.7	0,8	7	0,5
	2100	-3.0	-0,2	11.7	0,8	5	0,3
	2200	-2.0	-0,1	12.7	0,9	5	0,3
	2400	-1.0	-0,1	13.7	0,9	5	0,3
	2600	0.0	0,0	14.7	1,0	5	0,3
PV29 PVT29	1800	-3.0	-0,2	11.7	0,8	10	0,7
	2050	-3.0	-0,2	11.7	0,8	7	0,5
	2100	-2.5	-0,2	12.3	0,9	5	0,3
	2200	-1.3	-0,1	13.5	0,9	5	0,3
	2300	-0.0	-0,0	14.7	1,0	5	0,3
	2400	1.3	0,1	16.0	1,1	5	0,3
PVT38	1800	-2.0	-0,15	14.1	0,95	7	0,5
PVT47	1800	-2.0	-0,15	14.1	0,95	7	0,5
PVT64	1800	-2.0	-0,15	14.1	0,95	7	0,5

Note: Watch the case pressures carefully. Rapid compensation at high speeds can cause severe case spikes. If the pump feeds into a blocked center valve that closes quickly, use both case drain ports and direct short case drain lines and a relief valve.

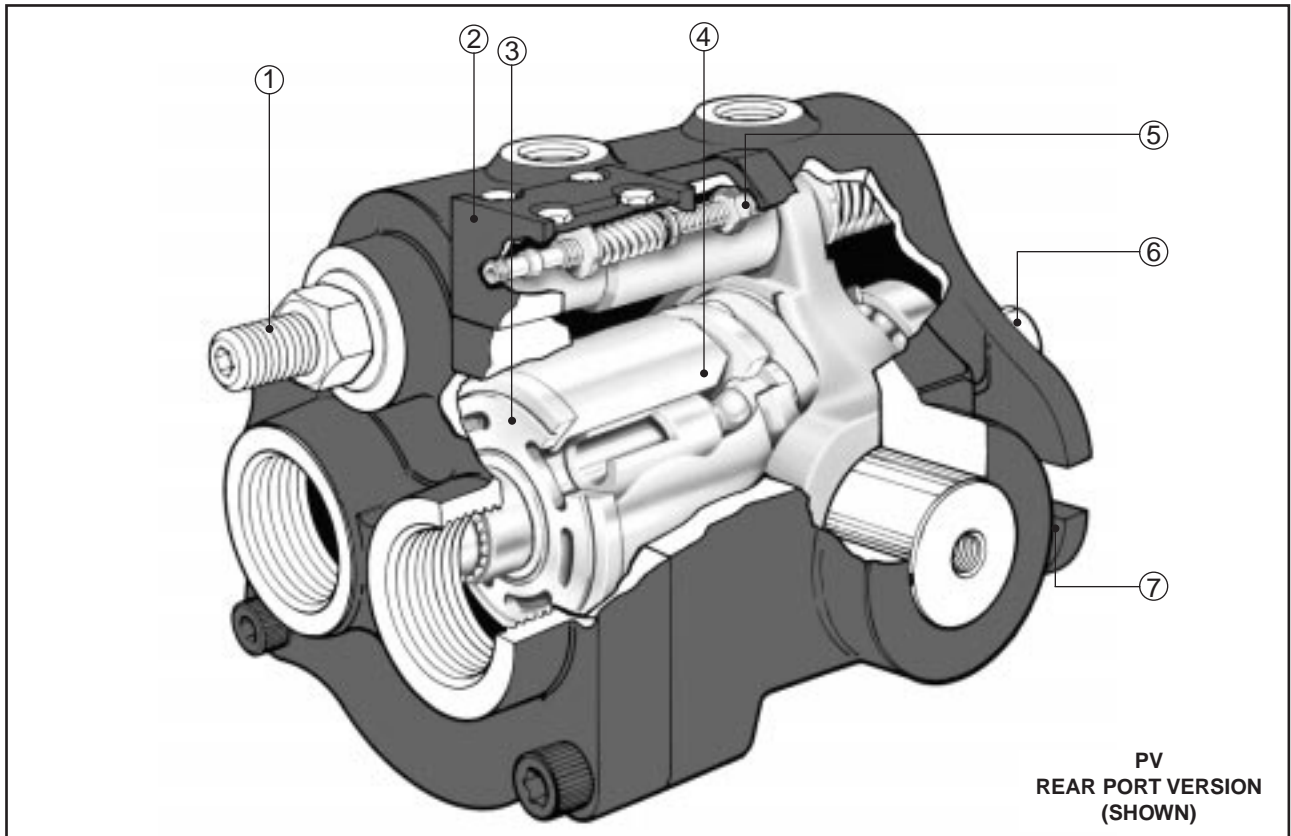
Benefits and features:

For quiet operation and high productivity, specify DENISON'S PV and PVT series pressure compensated, variable volume axial piston pumps. Designed right and built tough, they provide reliable fluid power...even under severe conditions!

You gain more efficient machine operation, upgrade equipment performance and reduce maintenance easily with these quiet, efficient pumps. Because they are interchangeable with other popular pumps, you can use the PV pumps to replace existing older pumps which are not functioning to your satisfaction.

Check these benefits:

- **quiet operation-** improves working conditions, low noise levels over entire operating range.
- **contamination tolerances-** improves dependability and reduces maintenance cost.
- **more power-** because of the PV's high pressure ratings. Max. intermittent operating pressures to 4500 psi (310) bar.
- **system savings-** because higher pressure allows use of smaller components...you can "downsize" and gain real savings.
- **versatility-** full power through drive to allow multiple pumps to be driven from one prime mover.
- **convenience-** side or rear port options for ease and convenience of mounting.
- **high productivity-** because of unique efficiency.
- **greater safety-** you can use fire resistant hydraulic fluids without sacrificing performance.
- **simple construction-** for long, dependable service.
- **tailor the flow-** to your needs with the standard maximum volume adjustment.
- **interchangeable-** with other SAE mounted piston pumps. Conformance to SAE flange mounting and SAE, BSPP or SAE code 61 4-bolt flange.



- | | | |
|--|--|--|
| <p>1 maximum volume adjustment</p> <p>2 fast compensator response- 50 ms. off-stroke, 120 ms on-stroke. Other controls available- ventable compensator, load sensing and power limiter</p> | <p>3 port plate- replaceable</p> <p>4 smoother power and quieter operation- with nine-piston rotating group</p> <p>5 adjustable compensator</p> <p>6 key and spline conform to industry standard</p> | <p>7 SAE mounting- easily interchangeable with other SAE mounted pumps</p> <p>- operates with many hydraulic fluids</p> <p>- also available are side porting and rear drive</p> |
|--|--|--|

GENERAL

The PV/PVT series pumps are variable displacement open circuit piston pumps with a design emphasis on operation economy. These axial piston pumps for open loop operation are suitable for rear drive in the PVT series configuration.

The PV/PVT pumps have a displacement of 0.88 to 7.93 cu. in/rev. (14,4 to 130,0 cc/rev.) with a continuous working pressure up to 4000 psi (280 bar): The pumps can be equipped with a pressure compensator, ventable compensator, load sensing or power limit control.

MOUNTING

The PV/PVT pumps have been designed to operate in a wide range of applications in industries where high pressure and variable flow are required at competitive cost.

These pumps are designed to operate in any position. The mounting hub and two bolt mounting flange are in conformance with SAE standards. The pump shaft must be in alignment with the shaft of the source driver and should be checked with a dial indicator. The mating pilot bore and coupling must be concentric. This concentricity is particularly important if the shaft is rigidly connected to the driven load without a flexible coupling.

REAR DRIVE:

See installation drawings page 11 thru 23 of this bulletin for mounting and page 24 for **maximum allowable torque** in the data section for torque limits.

SHAFT OPTIONS:

SAE splined and keyed, see installation drawings page 11 thru 23 for details.

INPUT SHAFT INFORMATION:

Splined: The shafts will accept a maximum misalignment of 0.002 in. (0,06mm) total indicator reading when the pump is foot mounted and 0.001 in. (0,03 mm) when flange mounted. Angular misalignment at the male and female spline axis must be less than $\pm 0,002$ inch per inch radius ($\pm 0,002$ mm/mm). The coupling interface must be lubricated.

DENISON recommends lithium molydisulfide or similar grease. The female coupling should be hardened to 27/34 Rc and must conform to SAE-J498c, class 5 flat root side fit.

Keyed: High strength heat treated keys must be used. Replacement keys must be hardened to 27-34 Rc. The key corners must be chamfered 0.03 - 0.04 in. (0,75-1,0 mm) at 45° to clear radii that exist in the keyway.

SIDE LOAD CAPABILITY:

The PV series is designed for inline-drive and side loading on the shaft is not recommended. If this is unavoidable consult your nearest DENISON HYDRAULICS representative.

SHAFT BEARING LIFE:

See chart in data section of this bulletin.

See installation drawings in the back of this bulletin for port connections.

PIPING

The maximum case pressure is shown on page 3. Case pressure must never exceed inlet pressure by more than 13 psi (0,9 bar). When connecting case drain line make certain that drain plumbing passes above highest point of the pump before passing to the reservoir.

The case leakage line must be of sufficient size to prevent back pressure in excess of the values on page 3 and returned to the reservoir below the surface of the oil as far from the supply suction as possible. All fluid lines, whether pipe, tubing, or hose must be adequate size and strength to assure free flow through the pump. An undersize inlet line will prevent the pump from operating at full rated speed. An undersize outlet line will create back pressure and cause heat generation. Flexible hose lines are recommended. If rigid piping is used, the workmanship must be accurate to eliminate strain on the pump port block or to the fluid connections. Sharp bends in the lines must be eliminated wherever possible. All system piping must be cleaned with solvent or equivalent before installing pump. Make sure the entire hydraulic system is free of dirt, lint, scale, or other foreign material.

Caution: Do not use galvanized pipe. Galvanized coating can flake off with continued use.

SERVICE INFORMATION

These hydraulic products are designed to give long dependable service when properly applied and their systems properly maintained. These general instructions apply to typical systems. Specific instructions for particular equipment can be developed from them.

Refer to bulletin S1-AM009 for service information.

RECOMMENDED FLUIDS

The fluid recommended for use in these pumps has a petroleum base and contains agents which provide oxidation inhibition and anti-rust, anti-foam and de-aerating properties as described in DENISON HYDRAULICS standard HF-1. Where anti-wear additive fluids are specified, see DENISON HYDRAULICS standard HF-0.

VISCOSITY

max. at cold start- 7500 SUS (1600 cSt)
 at low pressure, low flow, and if possible, low speed
 max. at full power- 750 SUS (160 cSt)
 optimum for max. life- 140 SUS (30 cSt)
 minimum at full power- 60 SUS (10 cSt)

VISCOSITY INDEX

90 V. I. minimum. Higher values extend the range of operating temperature but may reduce the service life of the fluid.

TEMPERATURE

Determined by the viscosity characteristics of the fluid used. Because high temperatures degrade seals, reduce the service life of the fluid and create hazards, fluid temperature should not exceed 180 °F (82 °C) at the case drain.

MAINTENANCE

The pump is self-lubricating and preventative maintenance is limited to keeping system fluid clean by changing filters frequently. Keep all fittings and screws tight. Do not operate at pressures and speeds in excess of the recommended limit. If the pump does not operate properly, check the troubleshooting chart before attempting to overhaul the unit. Overhauling may be accomplished by referring to the disassembly, rework limits of wear parts, and assembly procedures. Refer to the service manual for troubleshooting and overhaul information.

FLUID CLEANLINESS

Fluid must be cleaned before and continuously during operation by filters that maintain a cleanliness level of ISO 17/14. This approximately corresponds to NAS 1638 class 8 (class 9 for 15 micron and smaller). This fluid level cleanliness can usually be accomplished by the effective use of 10 micron filters. Better cleanliness levels will significantly extend the life of the components. As contaminant generation may vary with each application, each must be analyzed to determine proper filtration to maintain the required cleanliness level.

COMPARISON OF SOLID CONTAMINATION CLASSIFICATION SYSTEM

NATIONAL AERONAUTICS STANDARD (NAS) 1638

		class													
		00	0	1	2	3	4	5	6	7	8	9	10	11	12
particle size range	5-15µm	125	250	500	1000	2000	4000	8000	16000	32000	64000	128000	256000	512000	1024000
	15-25µm	22	44	89	178	356	712	1425	2850	5700	11400	22800	45600	91200	182400
	25-50µm	4	8	16	32	63	126	253	506	1012	2025	4050	8100	16200	32400
	50-100µm	1	2	3	6	11	22	45	90	180	360	720	1440	2880	5760
	>100µm	0	0	1	1	2	4	8	16	32	64	128	256	512	1024
maximum particles	>5µm	152	304	609	1217	2432	4864	9731	19462	38924	77849	155698	311396	622792	1245584
	>15µm	27	54	109	217	432	864	1731	3462	6924	13849	27698	55396	110792	221584

ISO:DIS 4406; SAE J1165

		iso solid contaminant code														
		8/5	9/6	10/7	11/8	12/9	13/10	14/11	15/12	16/13	17/14	18/15	19/16	20/17	21/18	22/19
maximum	>5µm	250	500	1000	2000	4000	8000	16000	32000	64000	130000	250000	500000	1000000	2000000	4000000
particles	>15µm	32	64	130	250	500	1000	2000	4000	8000	16000	32000	64000	130000	250000	500000

NOTES: All measurements are for a 100 ml sample size.

SYSTEM RELIEF VALVES

Although the PV/PVT series pumps have very fast off-stroke compensator response, system relief valves are recommended in all cases for safety considerations.

COMPENSATOR

The C and F pressure compensator control allows the pump to deliver full volume from the outlet port until the pressure rises to the value set by the control. One turn clockwise of the pressure compensator adjusting screw represents a pressure increase of approximately 650 psi (45 bar).

The control then reduces the pump volume to that required by the system while maintaining the preset pressure at the outlet port. The stroking piston is controlled by a 3-way valve which is shifted by discharge pressure.

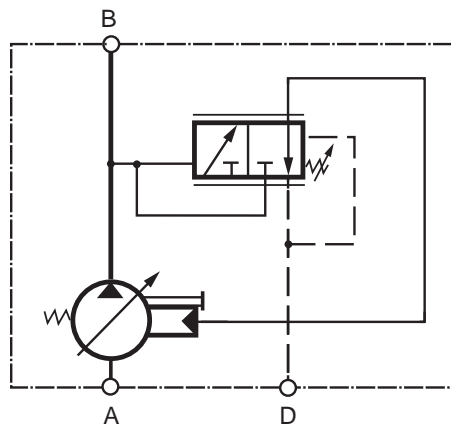
The fast response (typically 50 ms off-stroke and 120 ms on-stroke) and high flow capacity of this valve holds pressure overshoot and undershoot to a minimum.

An adjusting screw complete with locknut allows the pump volume to be set between maximum and zero.

Clockwise rotation pumps have the pressure compensator control located on the left side of the pump body; on counter clockwise rotation pumps the control is on the right side.

Units with C- compensator, a 30-50 psi (2-3 bar) check valve is recommended in the discharge port on all open loop pumps. The check valve must be located approximately 12 in. (0.3 M) from the discharge port. Failure to locate the check valve at this point may result in compensator hunting.

C- COMPENSATOR CIRCUIT

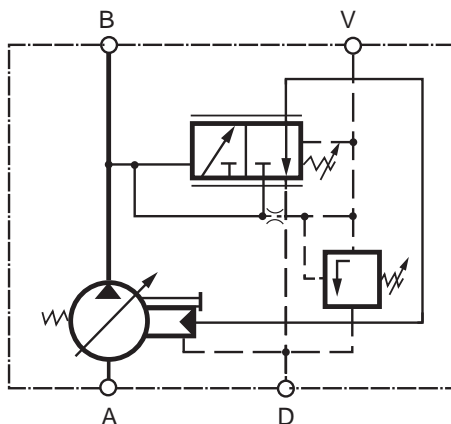


- A – Inlet
- B – Outlet
- D – Case drain

F- VENTABLE COMPENSATOR

The F- compensator is used in applications requiring remote control pressure. The remote relief is connected to the vent port. The pressure may be controlled at any level below the compensator pressure setting. The vent port may also be used to remotely vent-off the compensator for starting.

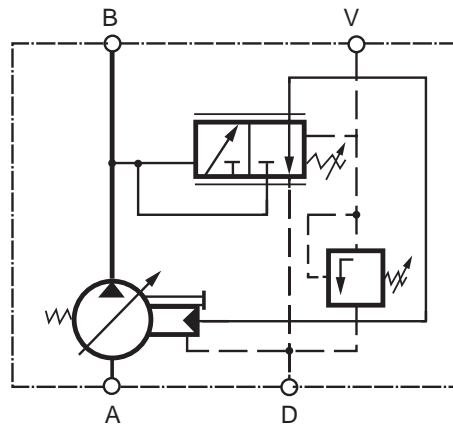
Caution: The F- and L- differential spring is the same as the C- compensator spring. Therefore it is possible to set the differential pressure too high.



- A – Inlet
- B – Outlet
- D – Case drain
- V – Vent

L- LOAD SENSING COMPENSATOR

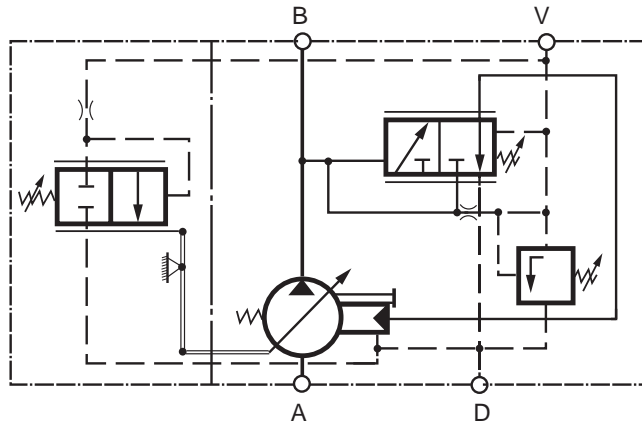
The L- compensator is used for load sensing circuits. The L- compensator prevents pilot flow from entering the circuit which will eliminate creeping of the load. The L- compensator will let the pump deliver a constant flow rate to the circuit by providing an adjustable ΔP across the customer's orifice or valve. The pump will operate at 250-400 psi (17-28 bar) above load pressure.



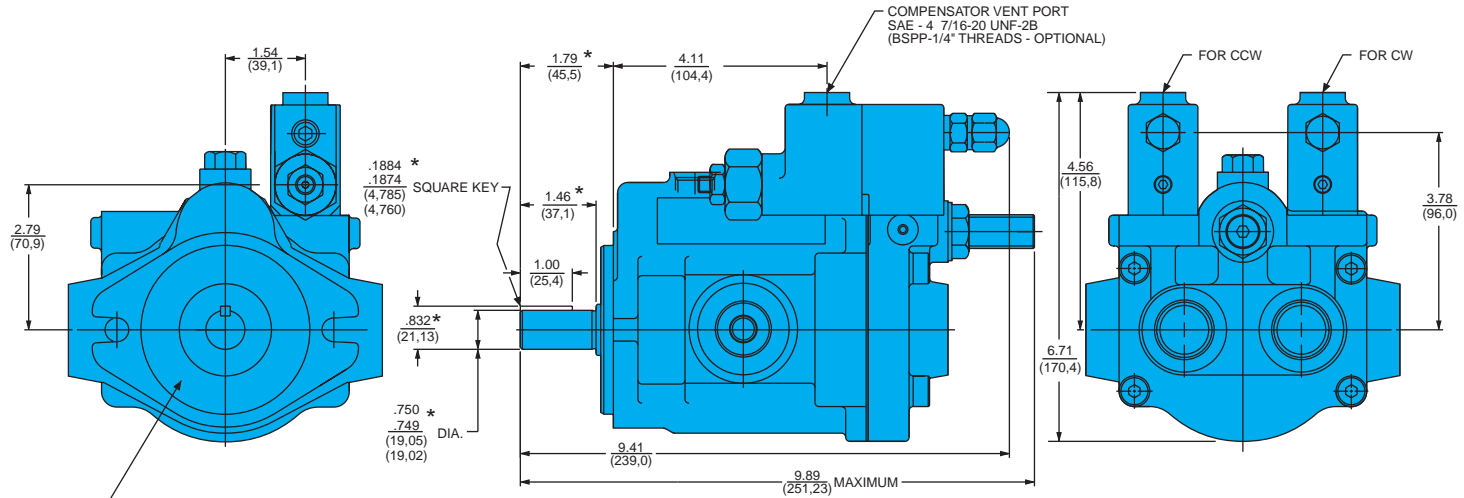
- A – Inlet
- B – Outlet
- D – Case drain
- V – Vent

J- TORQUE LIMITER (low range)
K- TORQUE LIMITER (high range)

The torque limiter monitors both pressure and displacement (hanger angle). It is a single spring unit which works with the "F" compensator, and can also be connected into a load sensing or remote venting circuit. As pressure rises, flow is reduced according to the zero adjustment and spring rate of the torque limiter. When pressure has risen to its full value, control is assumed by the "F" compensator. The torque limiter functions down to 20% of corner power. Lower adjustments are possible, at the expense of peak pressure.

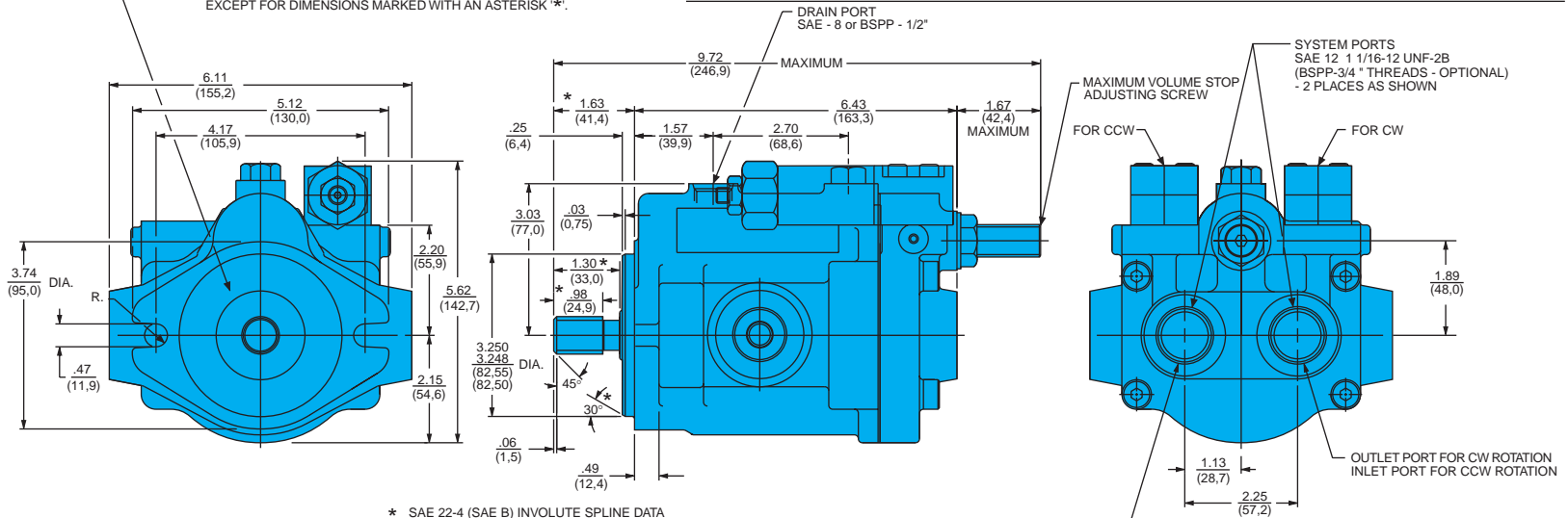


- A – Inlet
- B – Outlet
- D – Case drain
- V – Vent



"F" AND "L" COMPENSATOR - KEYED SHAFT
(SPLINED SHAFT SHOWN BELOW)

NOTE:
TWO BOLT MOUNTING FLANGE CONFORMS TO SAE 82-2 (SAE A) SPECIFICATIONS EXCEPT FOR DIMENSIONS MARKED WITH AN ASTERISK *.



INLET PORT FOR CW ROTATION
OUTLET PORT FOR CCW ROTATION

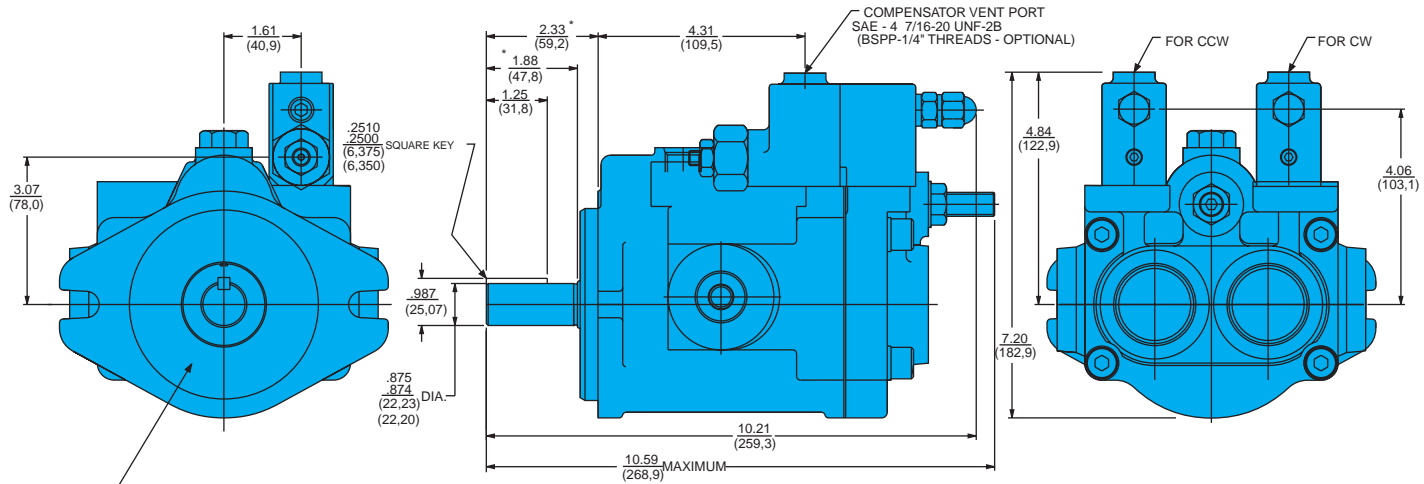
"C" COMPENSATOR - SPLINED SHAFT
(KEYED SHAFT SHOWN ABOVE)

* SAE 22-4 (SAE B) INVOLUTE SPLINE DATA
CLASS 5, FLAT ROOT SIDE FIT PER J498c

NUMBER OF TEETH	13
PITCH	16/32
PRESSURE ANGLE	30°
MAJOR DIA.	.875/.853 (22.23/21.67)
MINOR DIA.	.715 (18,16)

NOTE: DIMENSIONS IN PARENTHESIS ARE METRIC (SI UNITS).

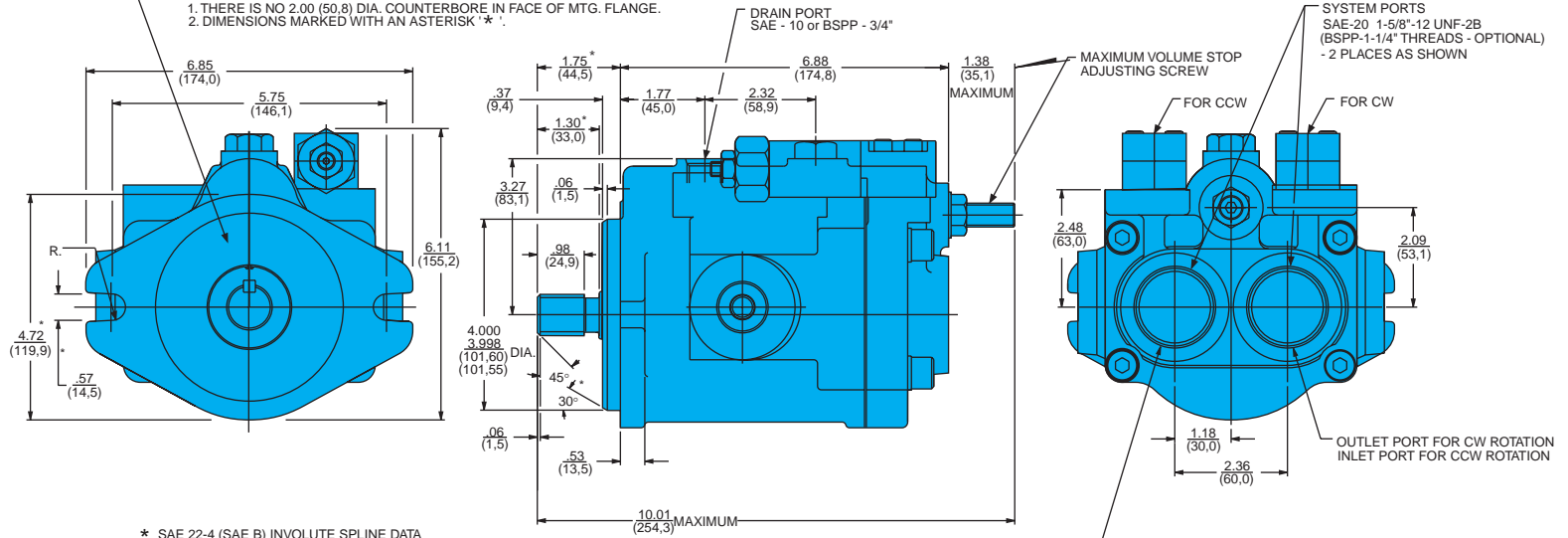
"D" Series PV6



"F" AND "L" COMPENSATOR - KEYED SHAFT

NOTE:
TWO BOLT MOUNTING FLANGE CONFORMS TO SAE 101-2 (SAE B) SPECIFICATIONS
WITH THE FOLLOWING EXCEPTIONS:
1. THERE IS NO 2.00 (50,8) DIA. COUNTERBORE IN FACE OF MTG. FLANGE.
2. DIMENSIONS MARKED WITH AN ASTERISK * * * .

(SPLINED SHAFT SHOWN BELOW)



"C" COMPENSATOR - SPLINED SHAFT

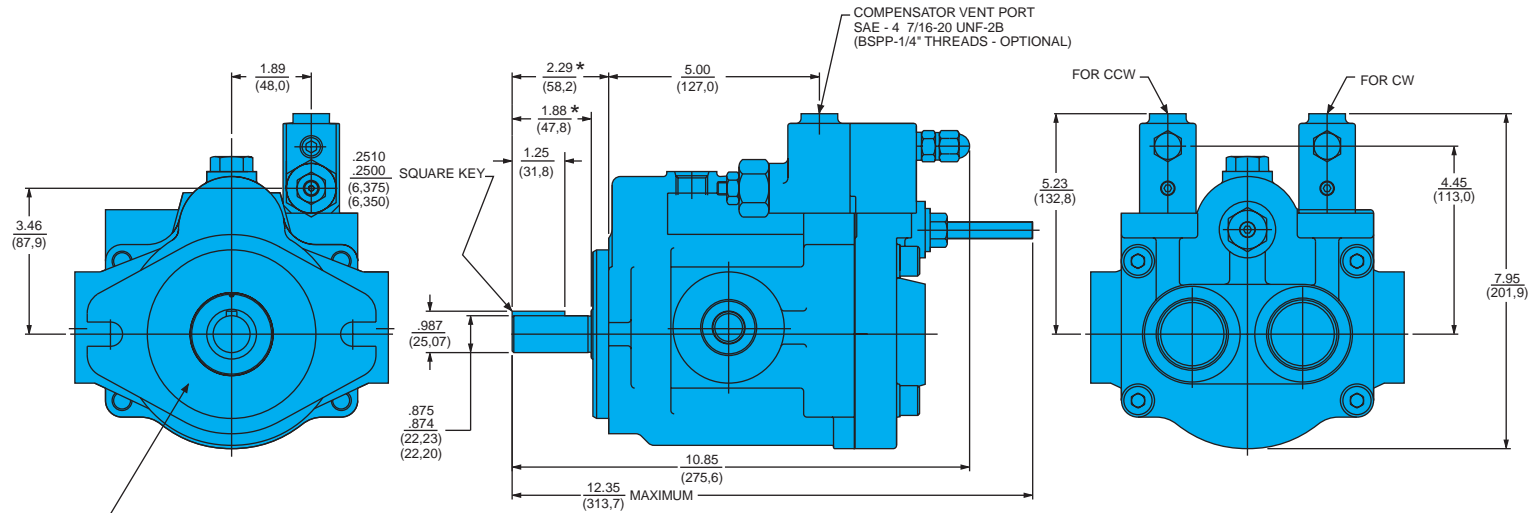
(KEYED SHAFT SHOWN ABOVE)

* SAE 22-4 (SAE B) INVOLUTE SPLINE DATA
CLASS 5, FLAT ROOT SIDE FIT PER J498c

NUMBER OF TEETH	13
PITCH	16/32
PRESSURE ANGLE	30°
MAJOR DIA.	.875/.853 (22,23/21,67)
MINOR DIA.	.715 (18,16)

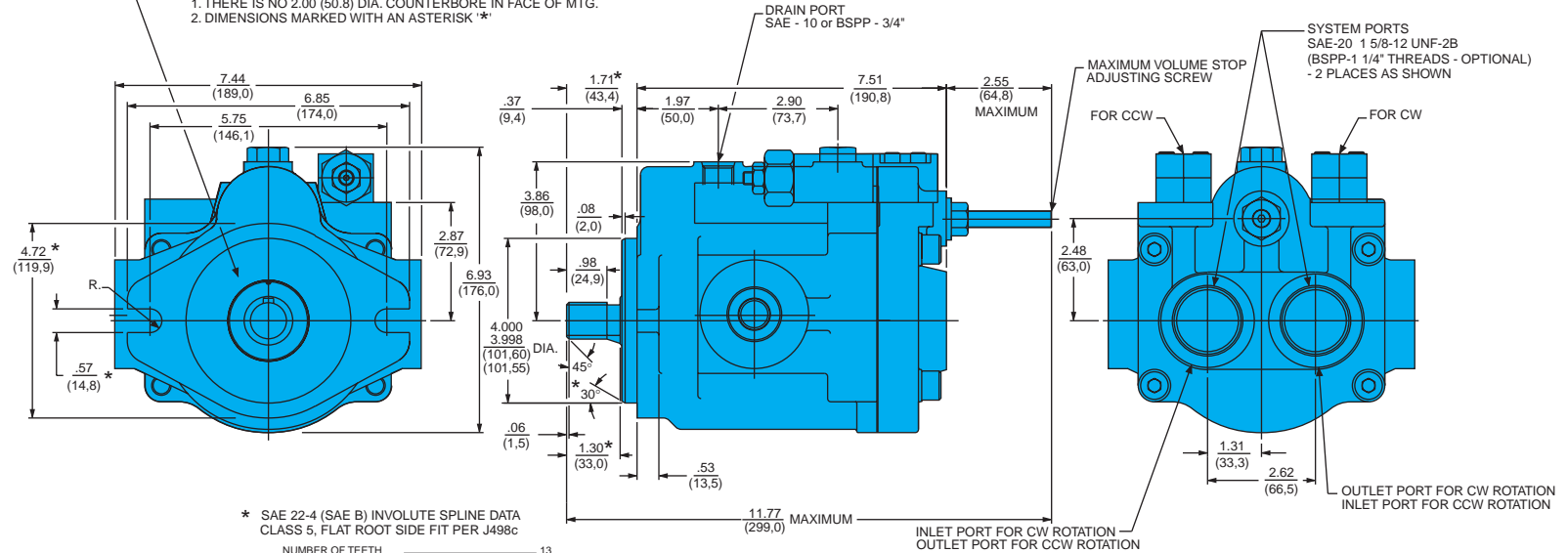
NOTE: DIMENSIONS IN PARENTHESIS ARE METRIC (SI UNITS).

"D" Series PV10



"F" AND "L" COMPENSATOR - KEYED SHAFT
(SPLINED SHAFT SHOWN BELOW)

NOTE:
TWO BOLT MOUNTING FLANGE CONFORMS TO SAE 101-2 (SAE B) SPECIFICATIONS
WITH THE FOLLOWING EXCEPTIONS:
1. THERE IS NO 2.00 (50,8) DIA. COUNTERBORE IN FACE OF MTG.
2. DIMENSIONS MARKED WITH AN ASTERISK *



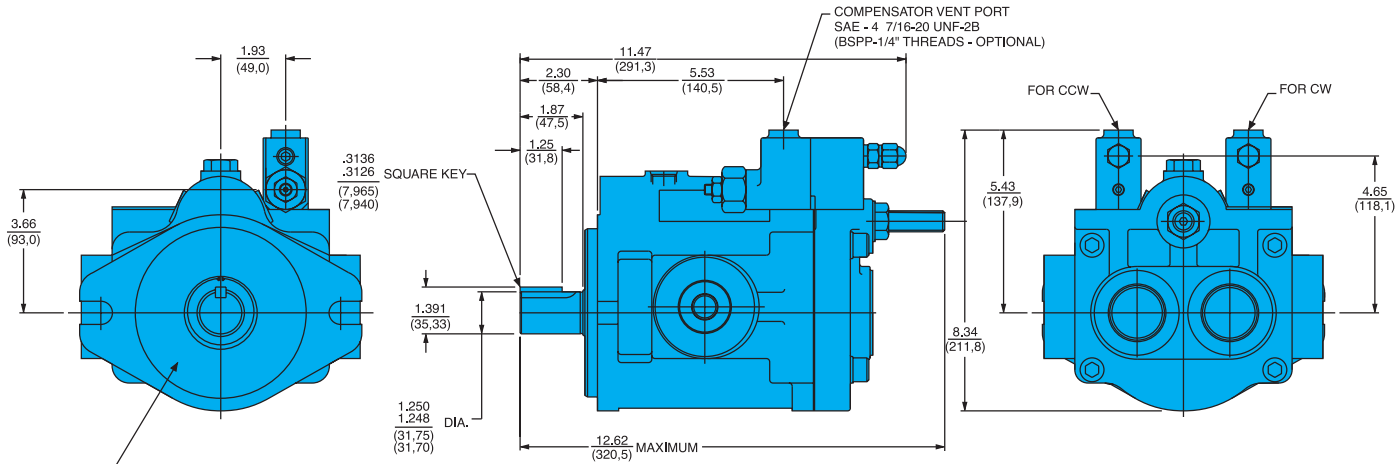
* SAE 22-4 (SAE B) INVOLUTE SPLINE DATA
CLASS 5, FLAT ROOT SIDE FIT PER J498c

NUMBER OF TEETH	13
PITCH	16/32
PRESSURE ANGLE	30°
MAJOR DIA.	.875/.853 (22,23/21,67)
MINOR DIA.	.715 (18,16)

NOTE: DIMENSIONS IN PARENTHESIS ARE METRIC (SI UNITS).

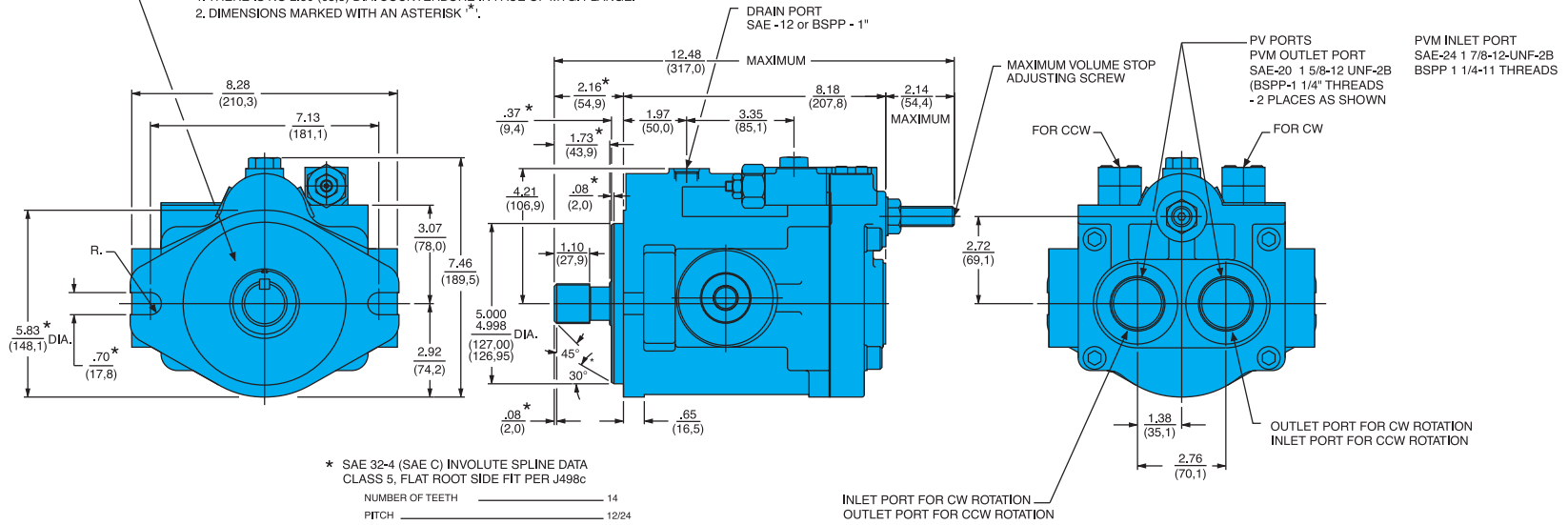
"C" COMPENSATOR - SPLINED SHAFT
(KEYED SHAFT SHOWN ABOVE)

"D" Series PV15



"F" AND "L" COMPENSATOR - KEYED SHAFT
(SPLINED SHAFT SHOWN BELOW)

NOTE:
TWO BOLT MOUNTING FLANGE CONFORMS TO SAE 127-2 (SAE C) SPECIFICATIONS WITH THE FOLLOWING EXCEPTIONS:
1. THERE IS NO 2.50 (63.5) DIA. COUNTERBORE IN FACE OF MTG. FLANGE.
2. DIMENSIONS MARKED WITH AN ASTERISK *.



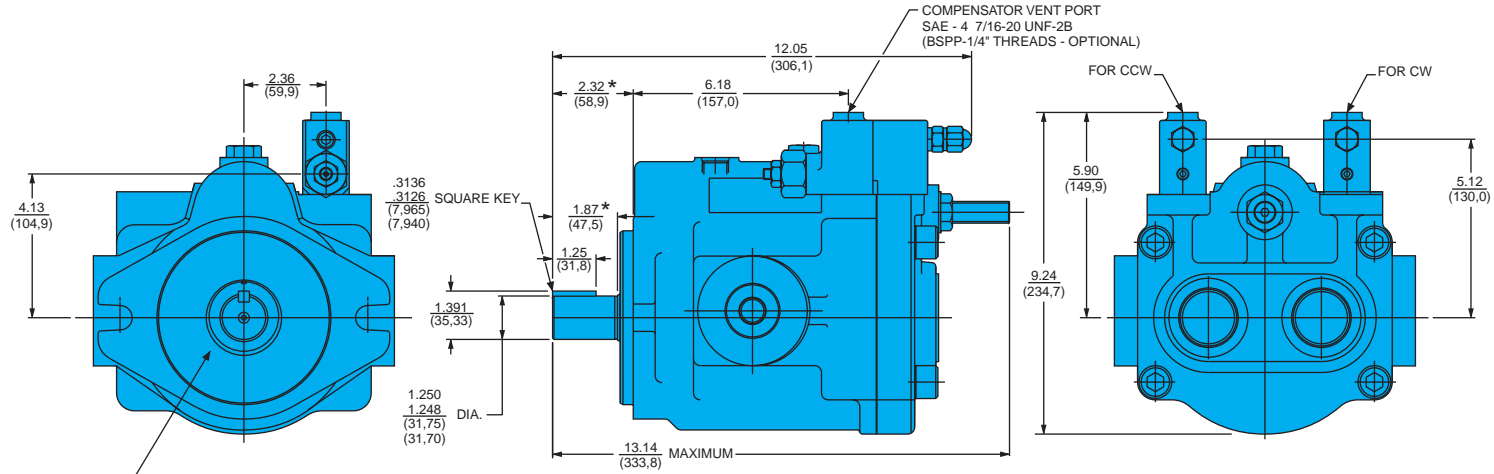
* SAE 32-4 (SAE C) INVOLUTE SPLINE DATA
CLASS 5, FLAT ROOT SIDE FIT PER J498c

NUMBER OF TEETH	14
PITCH	12/24
PRESSURE ANGLE	30°
MAJOR DIA.	1.250/1.224 (31,75/31,09)
MINOR DIA.	1.040 (26,4)

NOTE: DIMENSIONS IN PARENTHESIS ARE METRIC (SI UNITS).

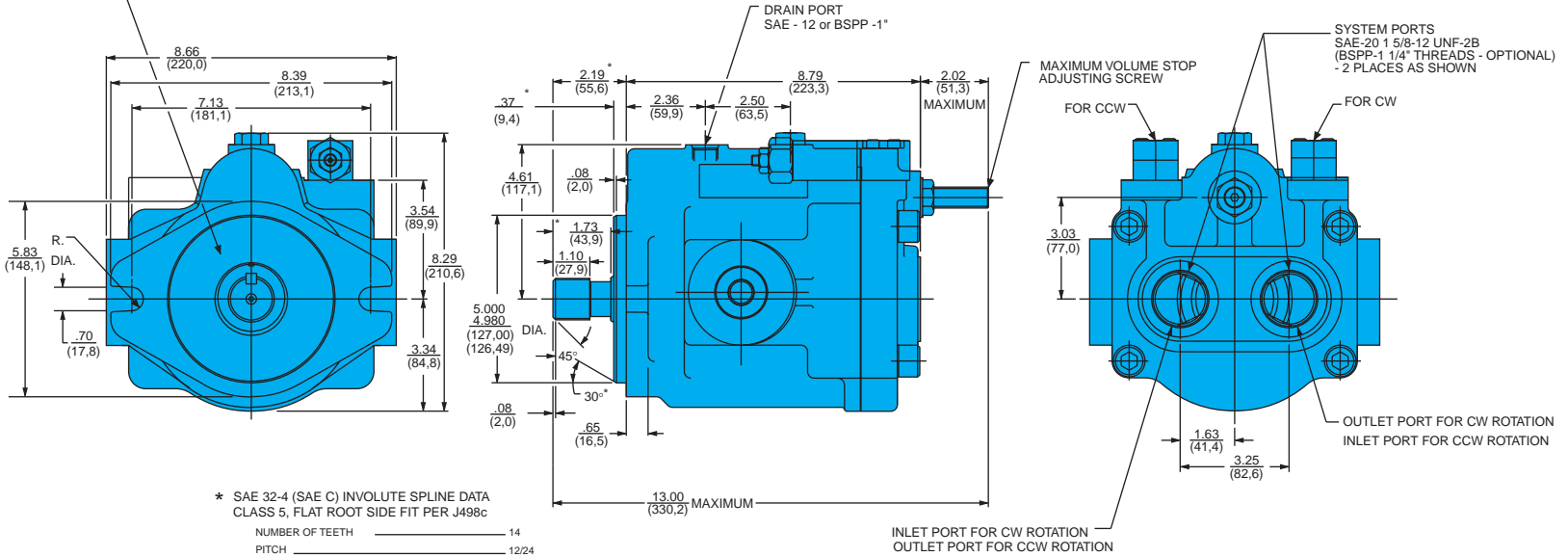
"C" COMPENSATOR - SPLINED SHAFT
(KEYED SHAFT SHOWN ABOVE)

"D" Series PV20



"F" AND "L" COMPENSATOR - KEYED SHAFT
(SPLINED SHAFT SHOWN BELOW)

NOTE:
TWO BOLT MOUNTING FLANGE CONFORMS TO SAE 127-2 (SAE C) SPECIFICATIONS WITH THE FOLLOWING EXCEPTIONS:
1. THERE IS NO 2.50 (63,5) DIA. COUNTERBORE IN FACE OF MTG. FLANGE.
2. DIMENSIONS MARKED WITH AN ASTERISK '* *'.

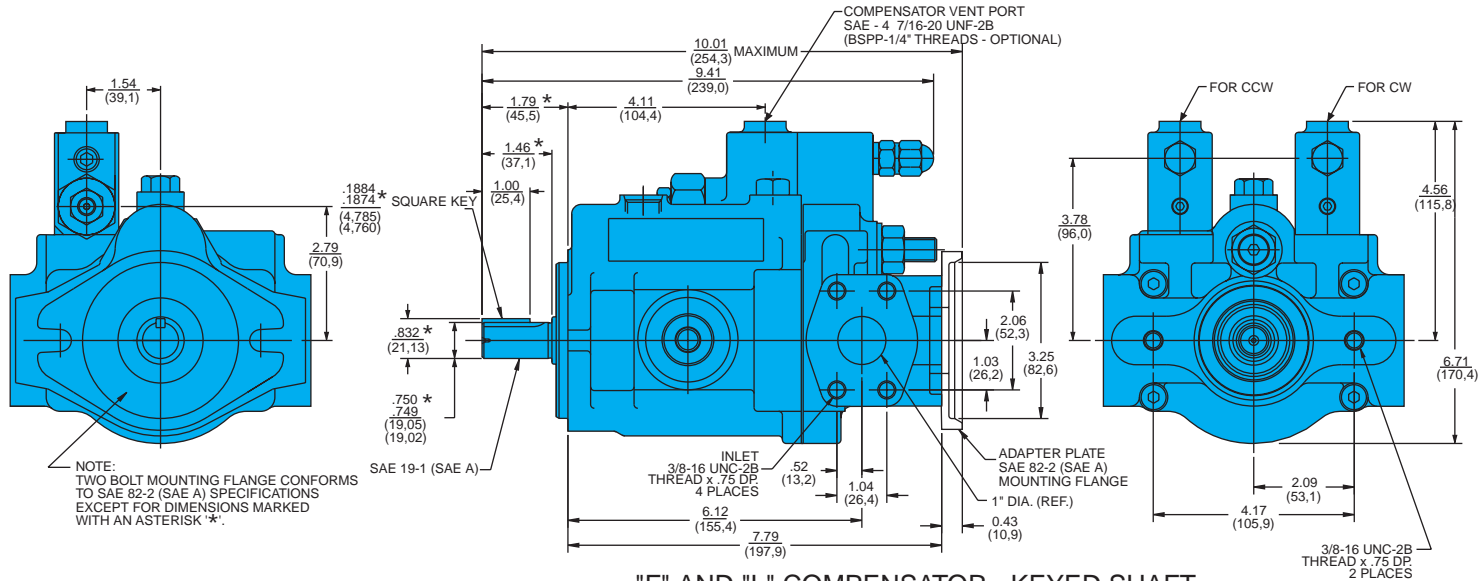


* SAE 32-4 (SAE C) INVOLUTE SPLINE DATA
CLASS 5, FLAT ROOT SIDE FIT PER J498c

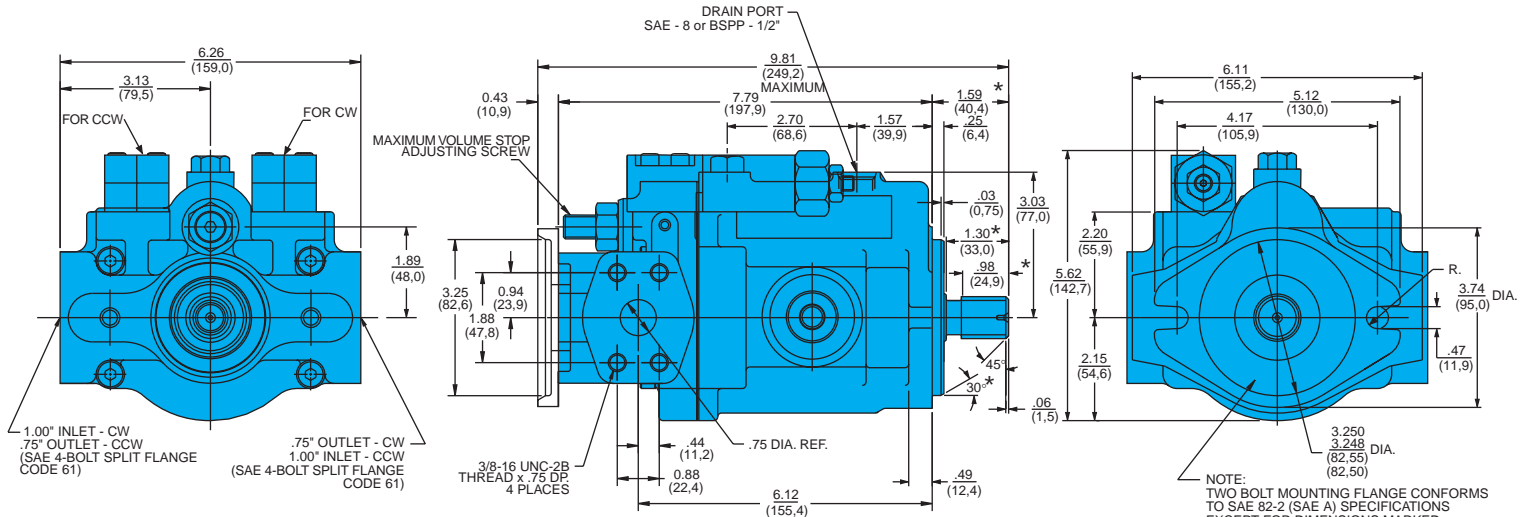
NUMBER OF TEETH	14
PITCH	12/24
PRESSURE ANGLE	30°
MAJOR DIA.	1.250±.024 (31,75±.061)
MINOR DIA.	1.040 (26,4)

NOTE: DIMENSIONS IN PARENTHESIS ARE METRIC (SI UNITS).

"C" COMPENSATOR - SPLINED SHAFT
(KEYED SHAFT SHOWN ABOVE)
"D" Series PV29



"F" AND "L" COMPENSATOR - KEYED SHAFT
(SPLINED SHAFT SHOWN BELOW)



1. DELIVERY AT 1800 RPM WITH MINIMUM DISCHARGE PRESSURE

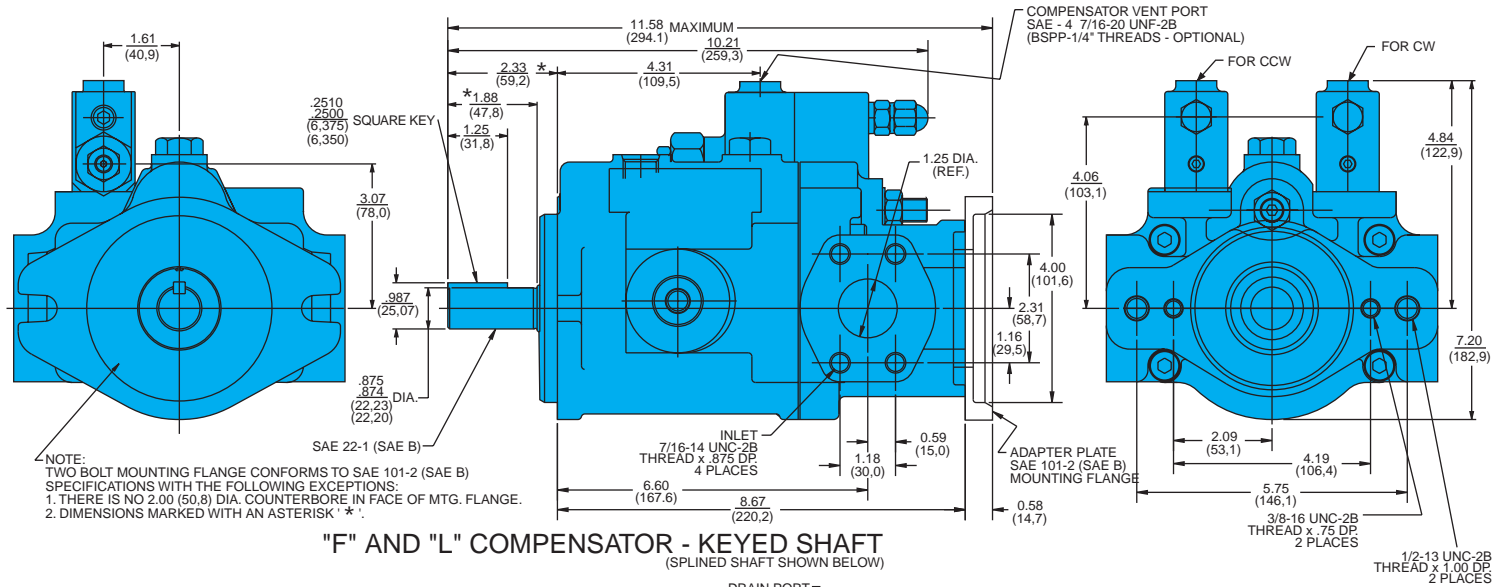
* SAE 22-4 (SAE B) INVOLUTE SPLINE DATA
CLASS 5, FLAT ROOT SIDE FIT PER J498c

NUMBER OF TEETH	13
PITCH	16/32
PRESSURE ANGLE	30°
MAJOR DIA.	.875/.853 (22.23/21.67)
MINOR DIA.	.715 (18,16) MIN.

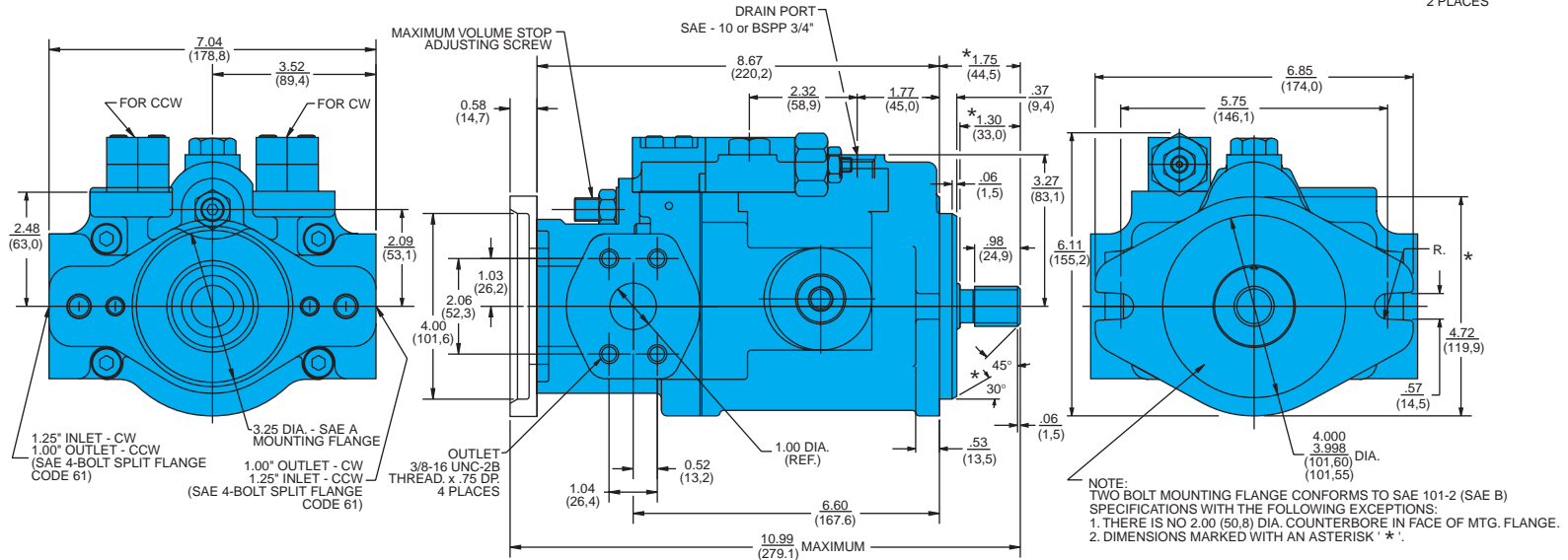
NOTE: DIMENSIONS IN PARENTHESIS ARE METRIC (SI UNITS).

"C" COMPENSATOR - SPLINED SHAFT
(KEYED SHAFT SHOWN ABOVE)

"D" SERIES PVT6

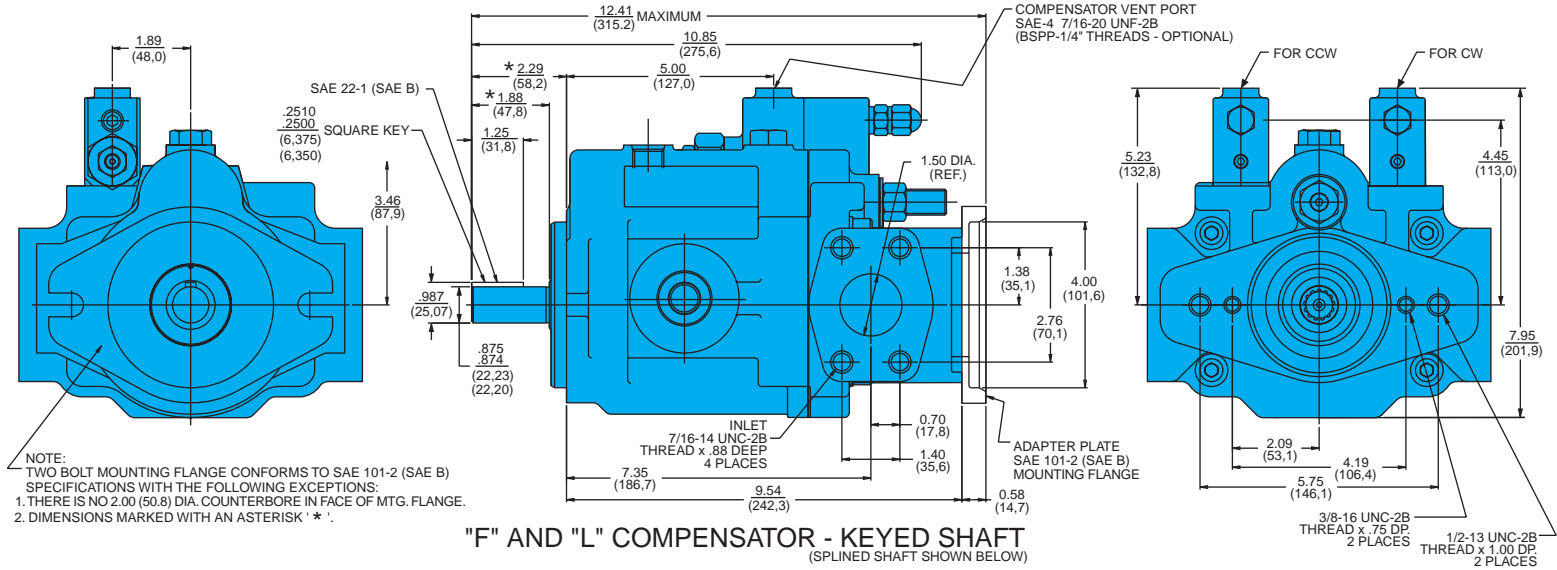


"F" AND "L" COMPENSATOR - KEYED SHAFT
(SPLINED SHAFT SHOWN BELOW)

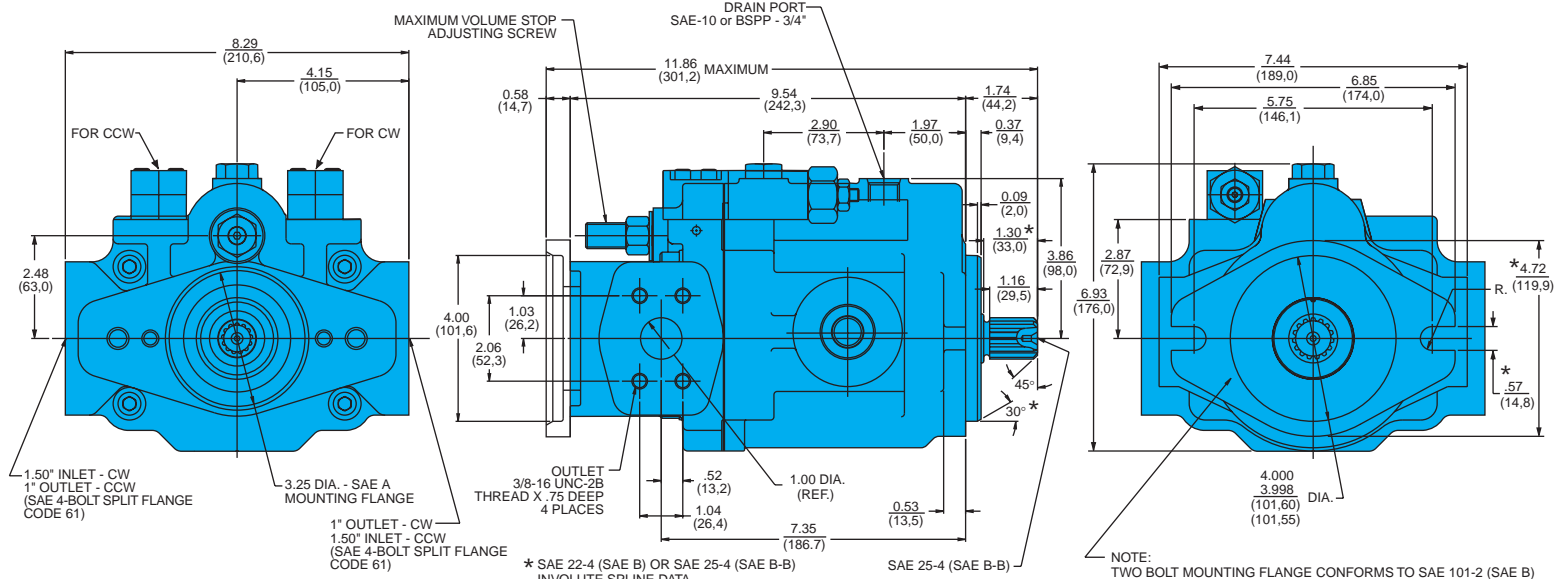


"C" COMPENSATOR - SPLINED SHAFT
(KEYED SHAFT SHOWN ABOVE)

"D" SERIES PVT10



"F" AND "L" COMPENSATOR - KEYED SHAFT
(SPLINED SHAFT SHOWN BELOW)

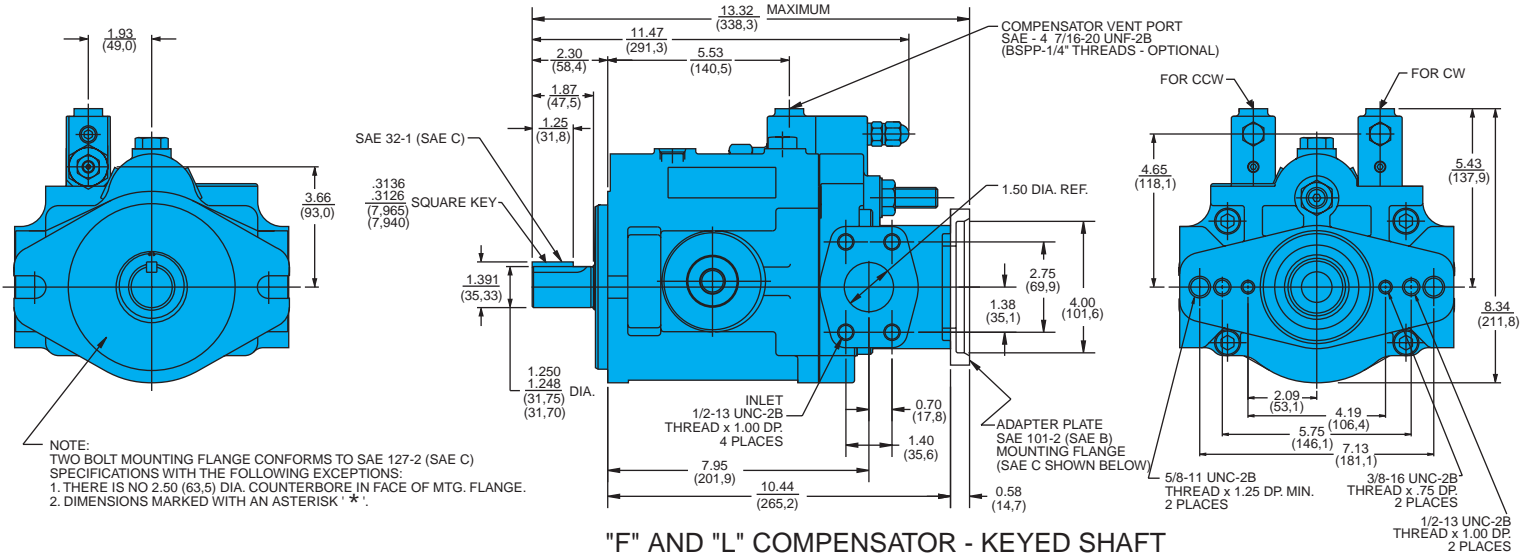


"C" COMPENSATOR - SPLINED SHAFT
(KEYED SHAFT SHOWN ABOVE)
"D" SERIES PVT15

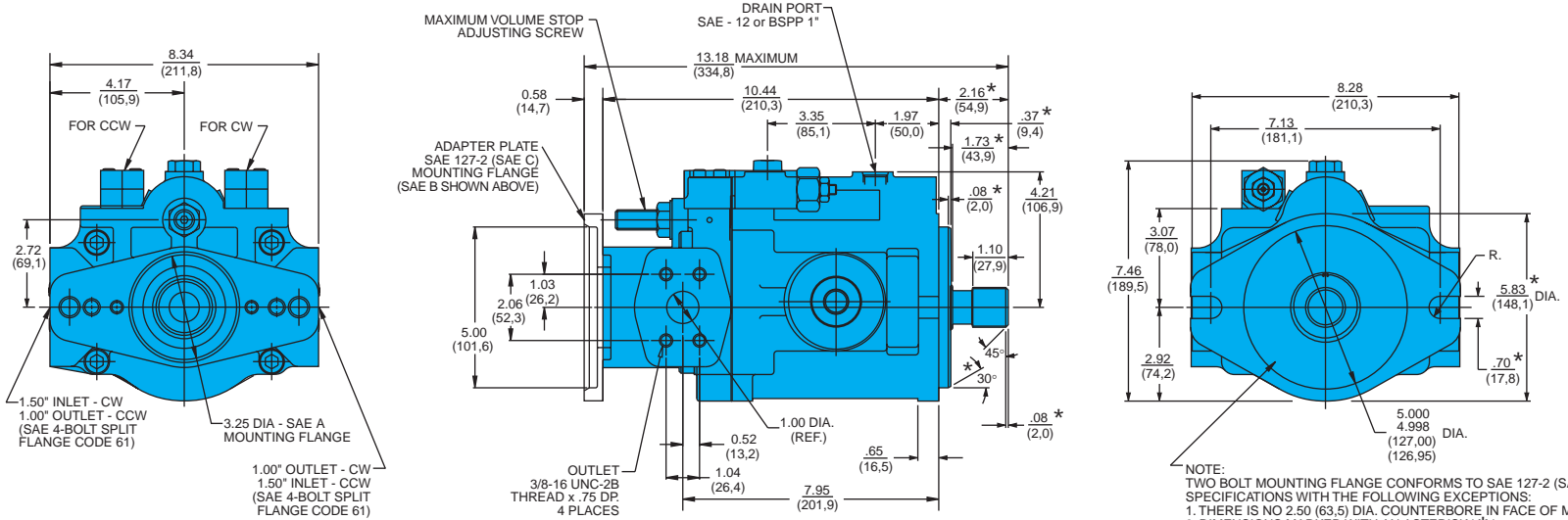
* SAE 22-4 (SAE B) OR SAE 25-4 (SAE B-B)
INVOLUTE SPLINE DATA
CLASS 5, FLAT ROOT SIDE FIT PER J498c

	22-4 (SAE B)	25-4 (SAE B-B)
NUMBER OF TEETH	13	15
PITCH	16/32	16/32
PRESSURE ANGLE	30°	30°
MAJOR DIA.	.875/.853 (22.2/21.7)	1.000/.998 (25.4/25.3)
MINOR DIA.	.715 MIN. (18.2)	.853 MIN. (21.7)

NOTE: DIMENSIONS IN PARENTHESIS ARE METRIC (SI UNITS).



"F" AND "L" COMPENSATOR - KEYED SHAFT
(SPLINED SHAFT SHOWN BELOW)

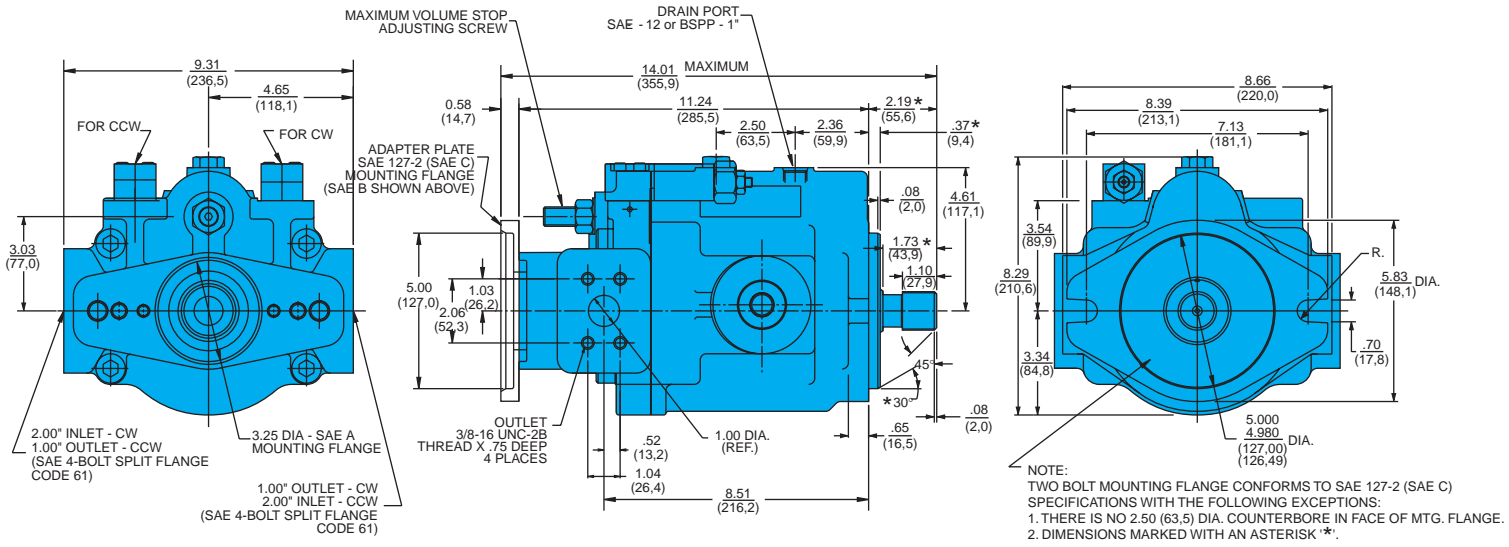
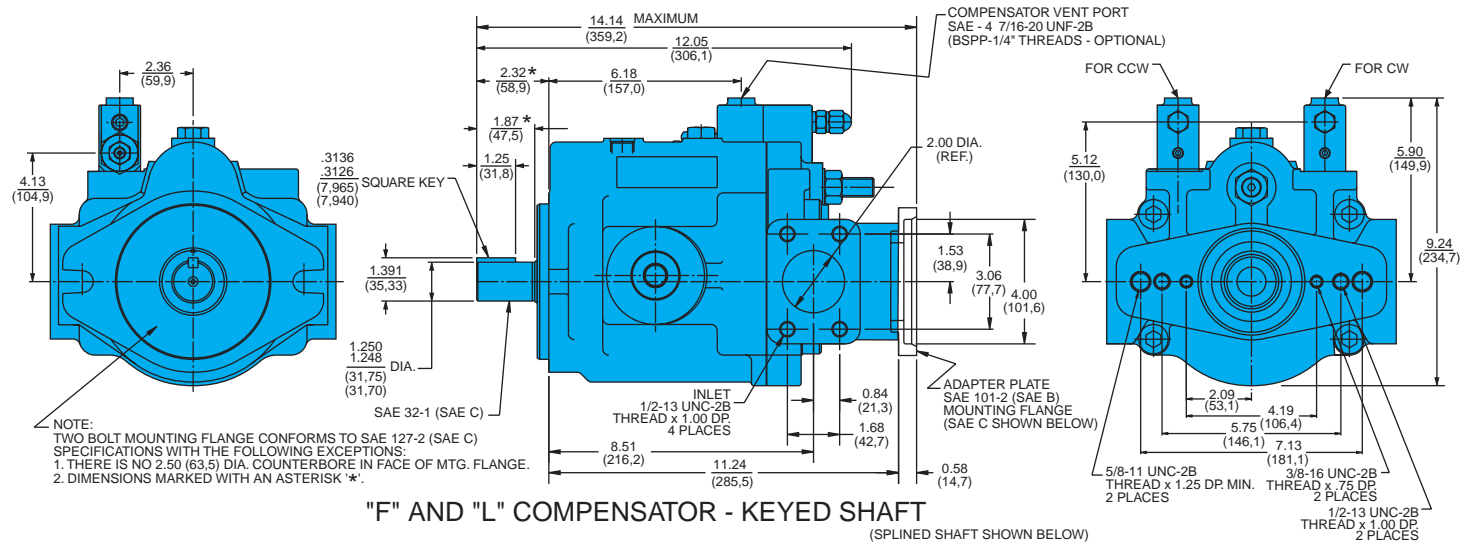


SAE 32-4 (SAE C) INVOLUTE SPLINE DATA
CLASS 5, FLAT ROOT SIDE FIT PER J498c

NUMBER OF TEETH	14
PITCH	12/24
PRESSURE ANGLE	30°
MAJOR DIA.	1.250/1.224 (31.75/31.09)
MINOR DIA.	1.040 (26.4)

NOTE: DIMENSIONS IN PARENTHESIS ARE METRIC (SI UNITS).

"C" COMPENSATOR - SPLINED SHAFT
(KEYED SHAFT SHOWN ABOVE)
D SERIES PVT20



SAE 32-4 (SAE C) INVOLUTE SPLINE DATA
CLASS 5, FLAT ROOT SIDE FIT PER J498c

NUMBER OF TEETH	14
PITCH	12/24
PRESSURE ANGLE	30°
MAJOR DIA.	1.250/1.224 (31.75/31.09)
MINOR DIA.	1.040 (26.4)

NOTE: DIMENSIONS IN PARENTHESIS ARE METRIC (SI UNITS).

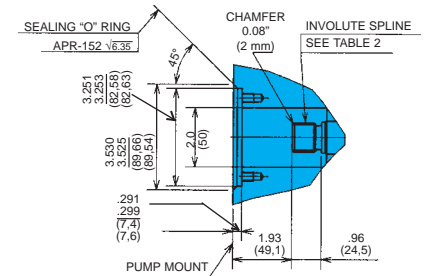
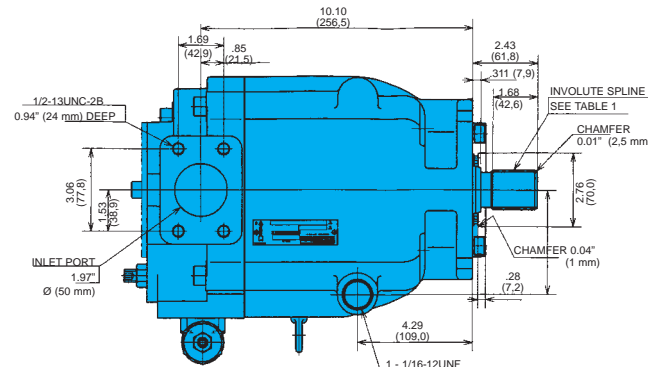
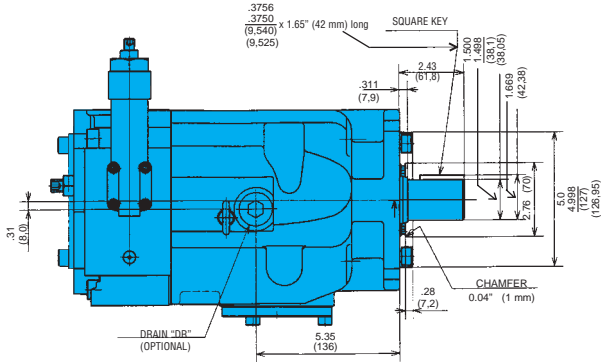
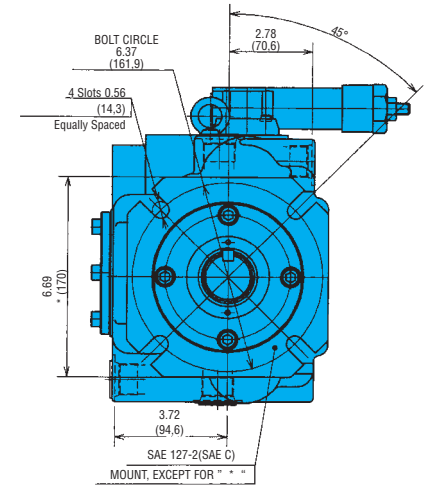
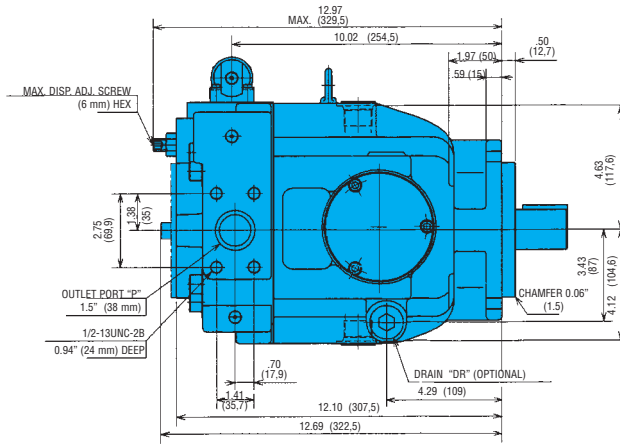
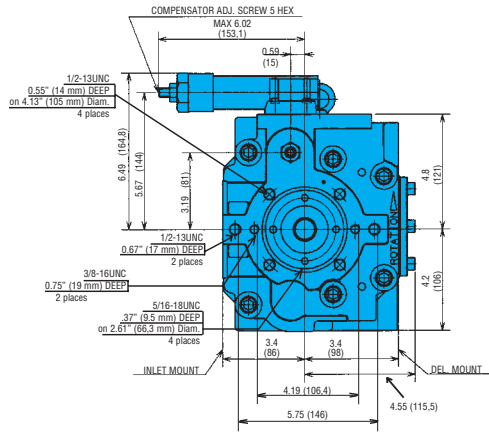


Table 1

SAE 32-4 INVOLUTE SPLINE DATA	
NUMBER OF TEETH	17
PITCH	12/24
PRESSURE ANGLE	30°
MAJOR DIA.	1.479 1.474 (37.57) (37.44)
MINOR DIA.	1.312 1.299 (33.34) (33.01)

Table 2

SAE 32-4 INVOLUTE SPLINE DATA (REAR DRIVE)	
NUMBER OF TEETH	15
PITCH	16/32
PRESSURE ANGLE	30°
MAJOR DIA.	.983 .978 (24.98) (24.85)
MINOR DIA.	.858 .847 (21.80) (21.52)

Note: DIMENSIONS IN PARENTHESIS ARE METRIC UNITS

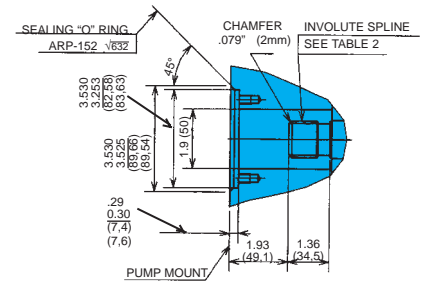
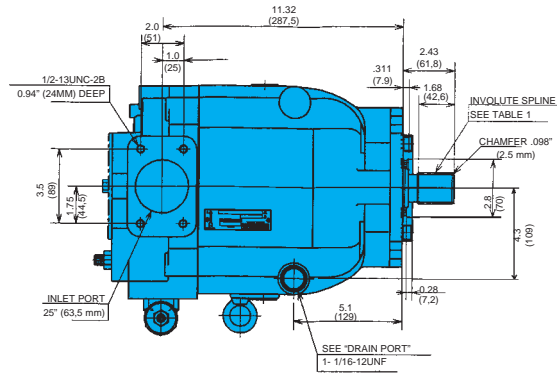
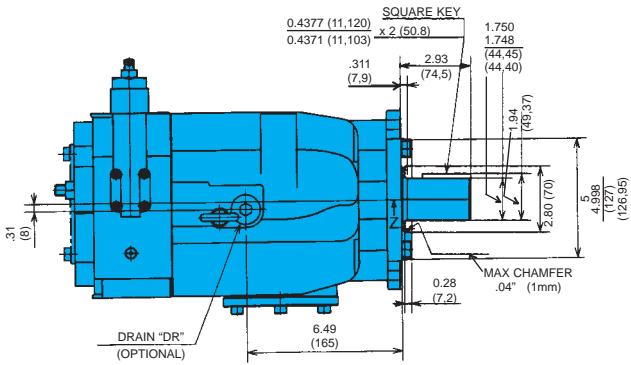
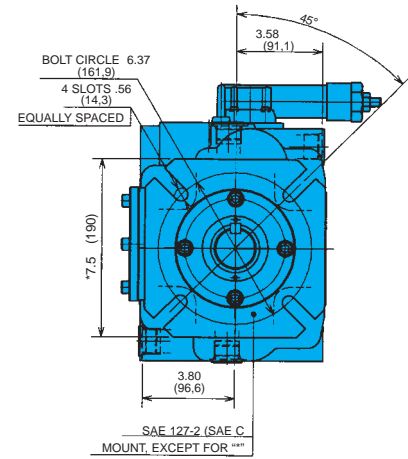
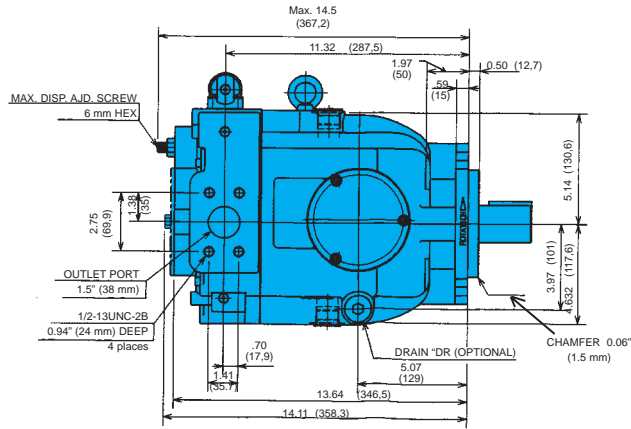
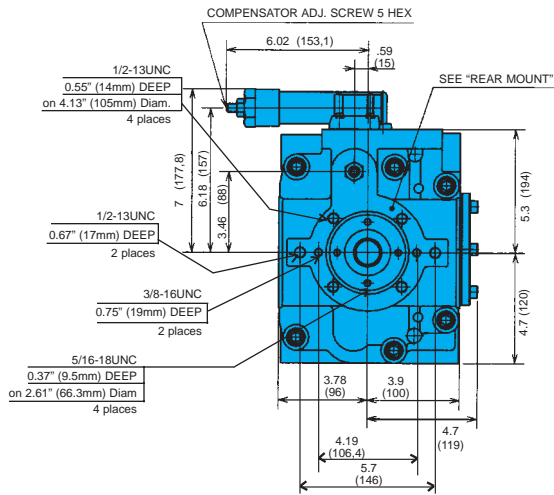


Table 1

SAE 44-4 INVOLUTE SPLINE DATA	
NUMBER OF TEETH	17
PITCH	12/24
PRESSURE ANGLE	30°
MAJOR DIA.	1.497 1.474 (37.57) (37.44)
MINOR DIA.	1.312 1.299 (33.34) (33.01)

Table 2

SAE 32-4 INVOLUTE SPLINE DATA (REAR DRIVE)	
NUMBER OF TEETH	14
PITCH	12/24
PRESSURE ANGLE	30°
MAJOR DIA.	1.229 1.224 (31.22) (31.09)
MINOR DIA.	1.062 1.049 (26.99) (26.66)

Note: DIMENSIONS IN PARENTHESIS ARE METRIC UNITS

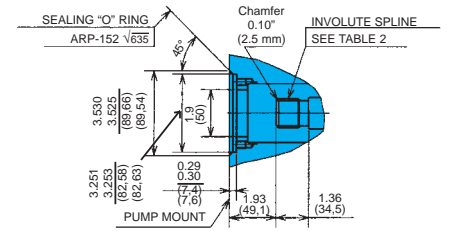
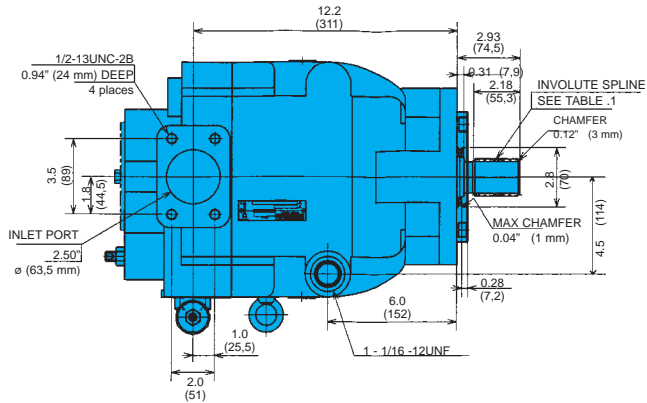
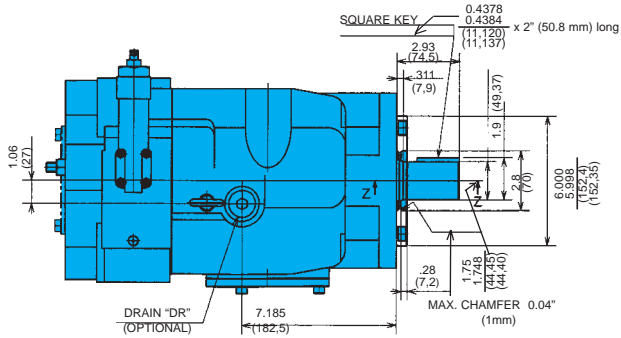
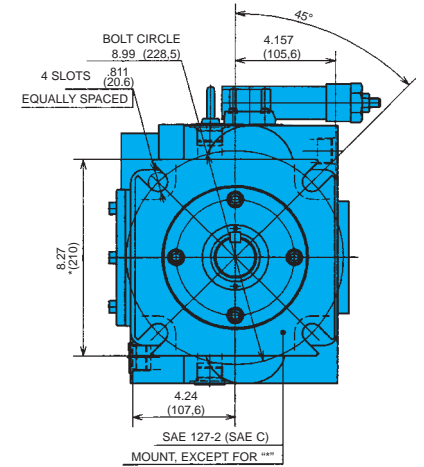
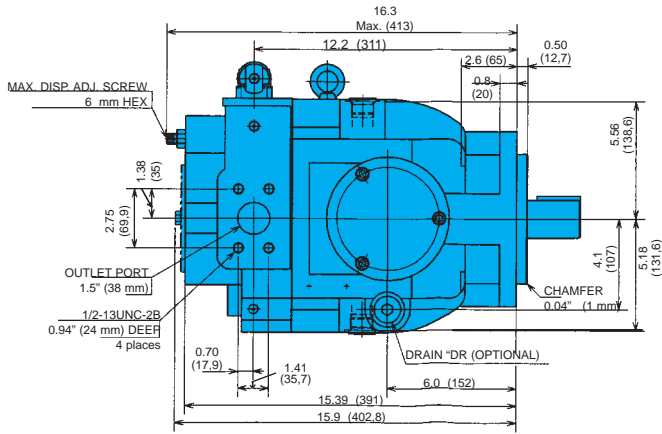
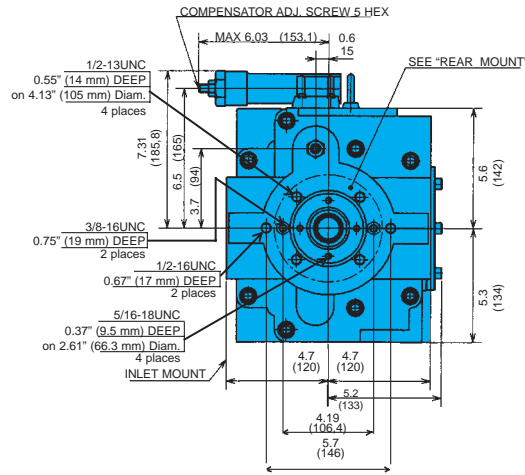


Table 1

SAE 44-4 INVOLUTE SPLINE DATA

NUMBER OF TEETH	13
PITCH	8/16
PRESSURE ANGLE	30°
MAJOR DIA.	1.721 (43.71) 1.715 (43.58)
MINOR DIA.	1.471 (37.36) 1.453 (36.90)

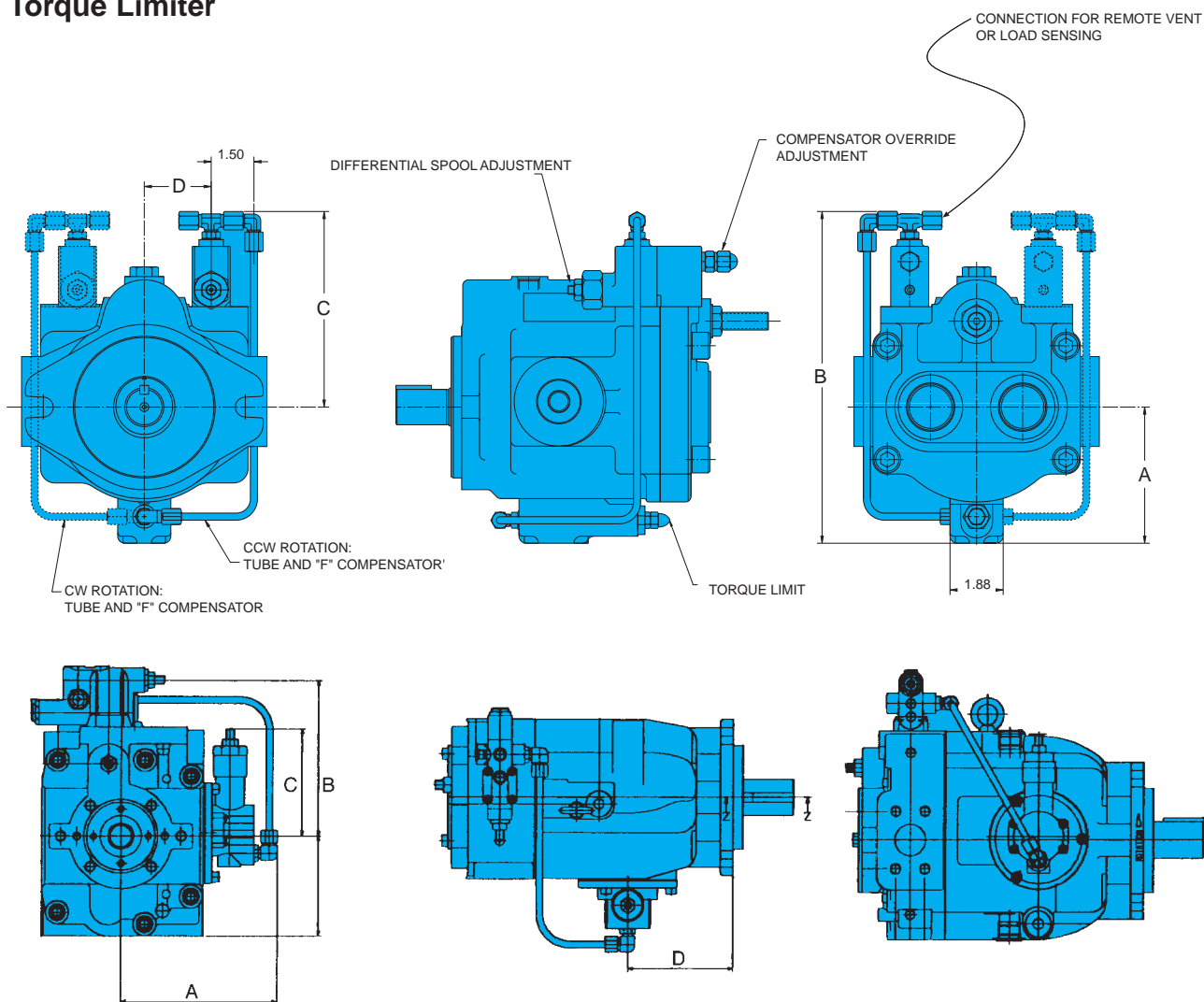
Table 2

SAE 32-4 INVOLUTE SPLINE DATA (REAR DRIVE)

NUMBER OF TEETH	14
PITCH	12/24
PRESSURE ANGLE	30°
MAJOR DIA.	1.229 (31.22) 1.224 (31.09)
MINOR DIA.	1.060 (26.99) 1.049 (26.66)

Note: DIMENSIONS IN PARENTHESIS ARE METRIC UNITS

Torque Limiter



Torque Values

	Max. Pressure psi	Max. Pressure bar	Max. Torque in-lb	Max. Torque Nm	J* torque range in-lb min	K* torque range in-lb min.	J* torque range Nm min.	K* torque range Nm min.
PV6/PVT6	4500	310	685	77	88	274	10	31
PV10/PVT10	4500	310	981	111	257	407	29	46
PV15/PVT15	4500	310	1627	184	407	619	46	70
PV20/PVT20	4500	310	2040	231	531	725	60	82
PV29/PVT29	4000	275	2616	296	681	1044	77	118
PVT38	4350	300	3672	415	946	1318	107	149
PVT47	4350	300	4590	519	1185	1645	134	186
PVT64	4350	300	5968	675	1512	2087	171	236

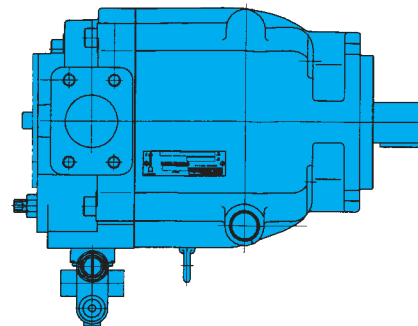
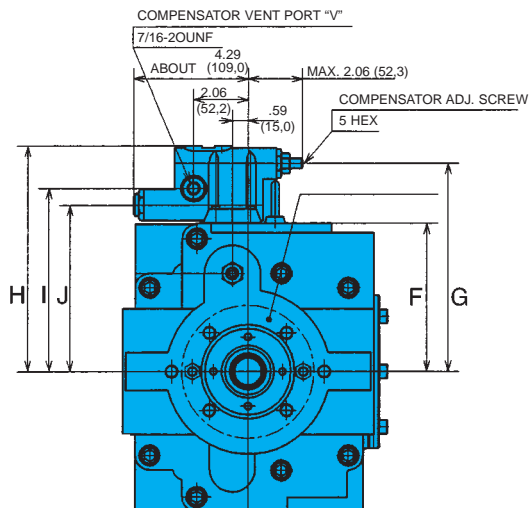
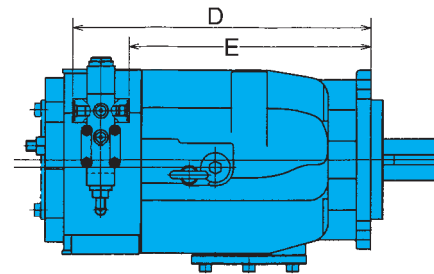
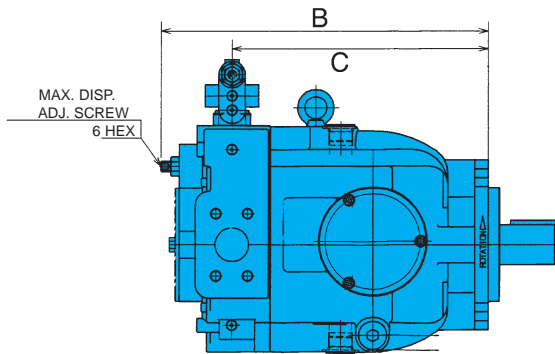
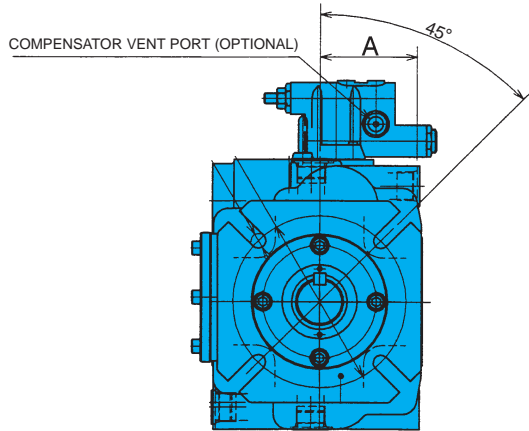
PV PVT	A	B	C	D
6	3.50 (88.9)	9.06 (230.1)	5.56 (141.2)	1.54 (39.1)
10	4.00 (101.6)	9.84 (249.9)	5.84 (148.3)	1.61 (40.9)
15	4.38 (111.3)	10.61 (269.5)	6.23 (158.2)	1.89 (48.0)
20	4.63 (117.6)	11.06 (280.9)	6.43 (163.3)	1.93 (49.0)
29	5.00 (127.0)	11.90 (302.3)	6.90 (175.3)	2.36 (59.9)
38	7.10 (180.3)	7.02 (178.3)	5.12 (131.0)	4.57 (116.0)
47	7.46 (189.6)	7.53 (191.3)	5.20 (132.0)	5.08 (129.0)
64	8.02 (203.8)	7.85 (199.3)	4.92 (125.0)	5.98 (152.0)

* Use J limiter from listed minimum to K value

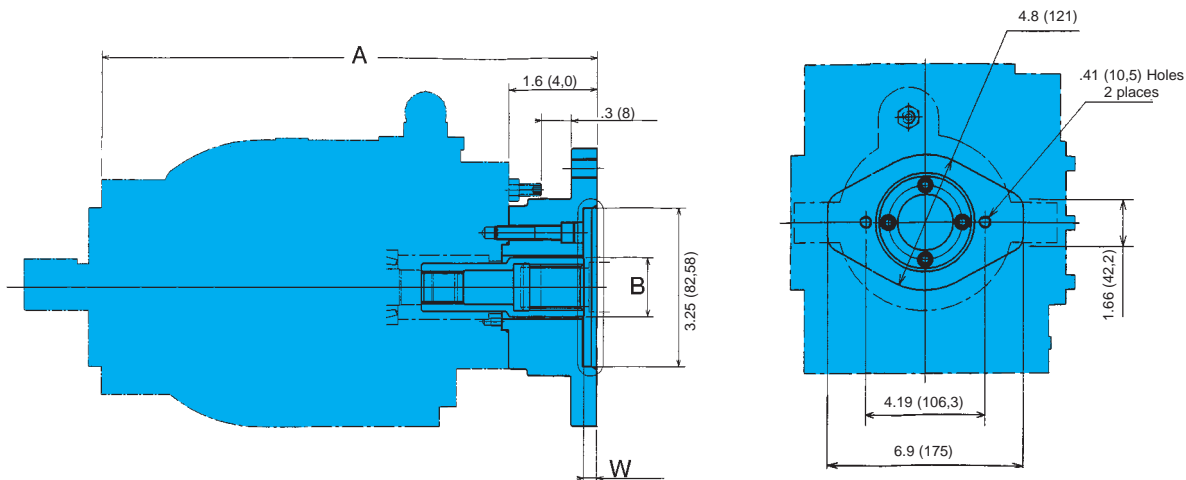
* Use K limiter from listed minimum to Maximum Torque value value

F and L Compensators

	PVT 38	PVT47	PVT64
A	2.78 (70.6)	3.59 (91.1)	4.16 (105.6)
B	12.97 (329.5)	14.46 (367.2)	16.26 (413.0)
C	10.02 (254.5)	11.32 (287.5)	12.24 (311.0)
D	11.20 (284.5)	12.50 (317.5)	13.43 (341.0)
E	8.84 (224.5)	10.14 (257.5)	11.06 (281.0)
F	4.76 (121.0)	5.28 (134.0)	5.59 (142.0)
G	7.02 (178.3)	7.53 (191.3)	7.85 (199.3)
H	7.69 (195.3)	8.20 (208.3)	8.52 (216.3)
I	6.07 (154.3)	6.59 (167.3)	6.90 (175.3)
J	5.44 (138.3)	5.96 (151.3)	6.27 (159.3)

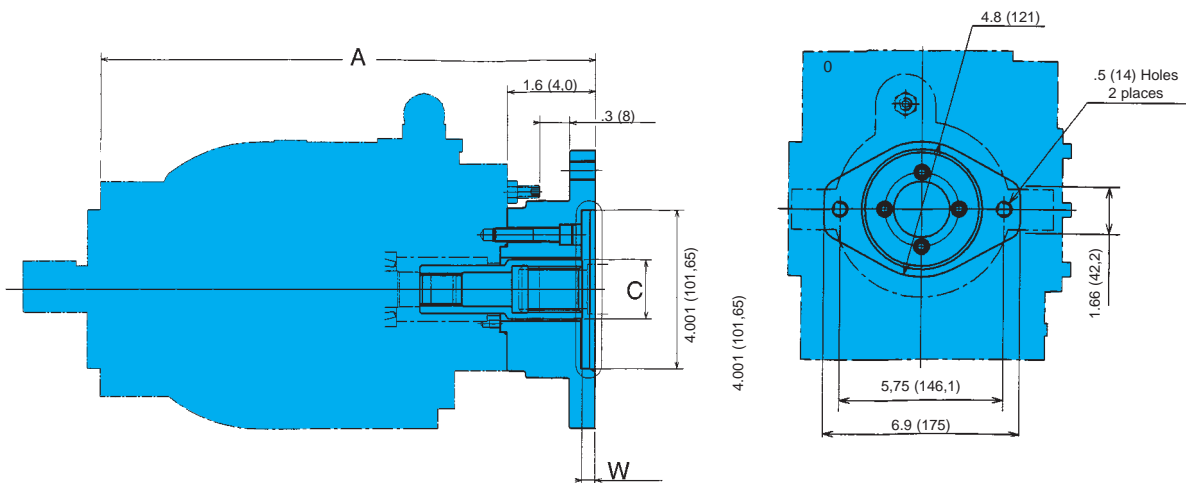


SAE - A REAR DRIVE



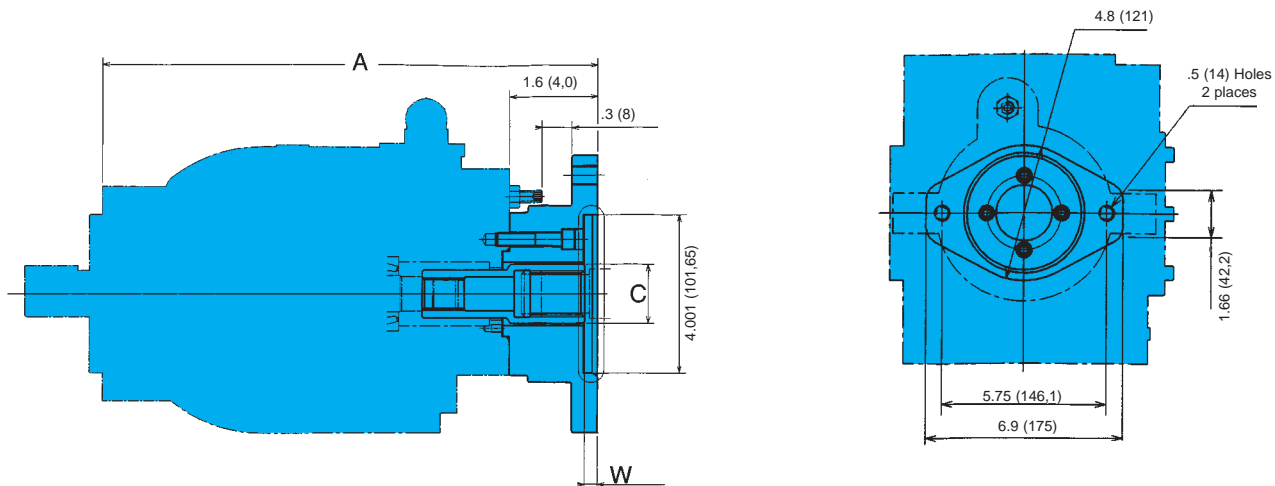
	A	B	W
PVT38	13.68 (347,5)	1.5 (38)	.492 (12,50)
PVT47	15.21 (386,4)	1.7 (44)	.531 (13,51)
PVT64	16.97 (431,0)	1.7 (44)	.496 (12,60)

SAE - B REAR DRIVE



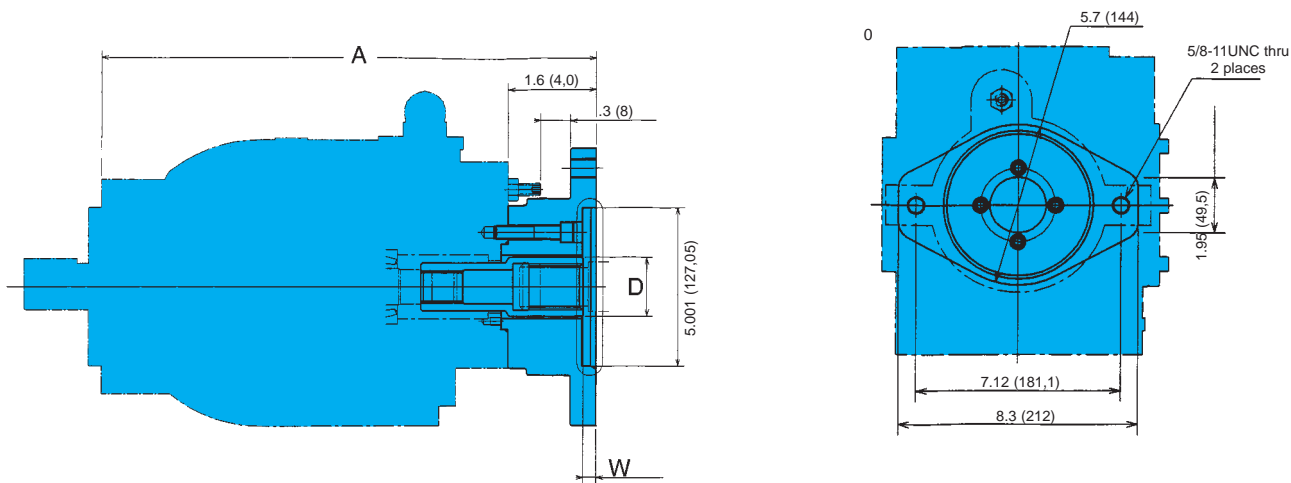
	A	C	W
PVT38	13.68 (347,5)	1.5 (38)	.492 (12,50)
PVT47	15.21 (386,4)	1.7 (44)	.531 (13,51)
PVT64	16.97 (431,0)	1.7 (44)	.496 (12,60)

SAE - BB REAR DRIVE



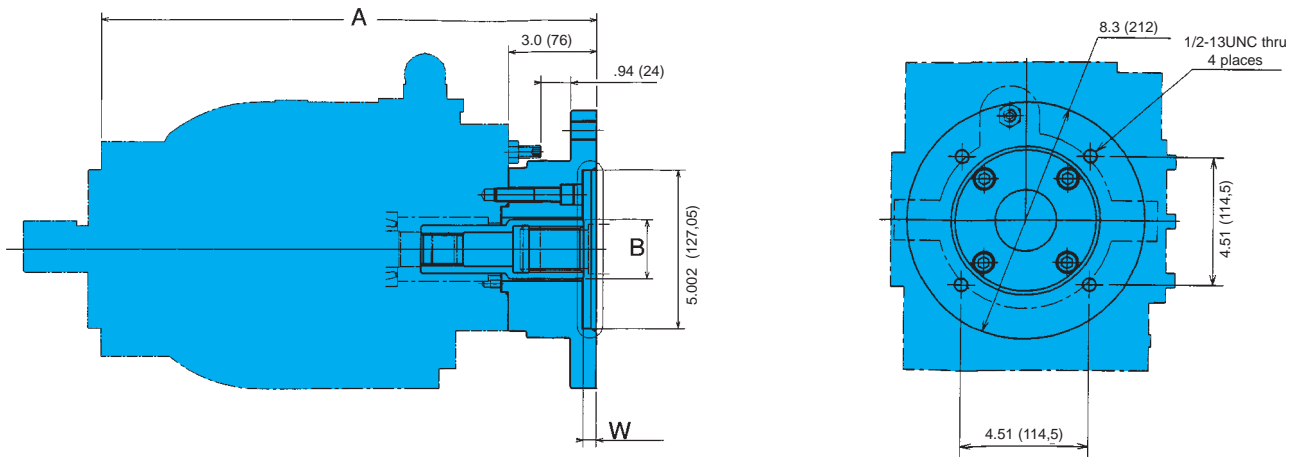
	A	C	W
PVT38	13.68 (347,5)	1.5 (38)	.492 (12,50)
PVT47	15.21 (386,4)	1.7 (44)	.531 (13,51)
PVT64	16.97 (431,0)	1.7 (44)	.496 (12,60)

SAE - C REAR DRIVE



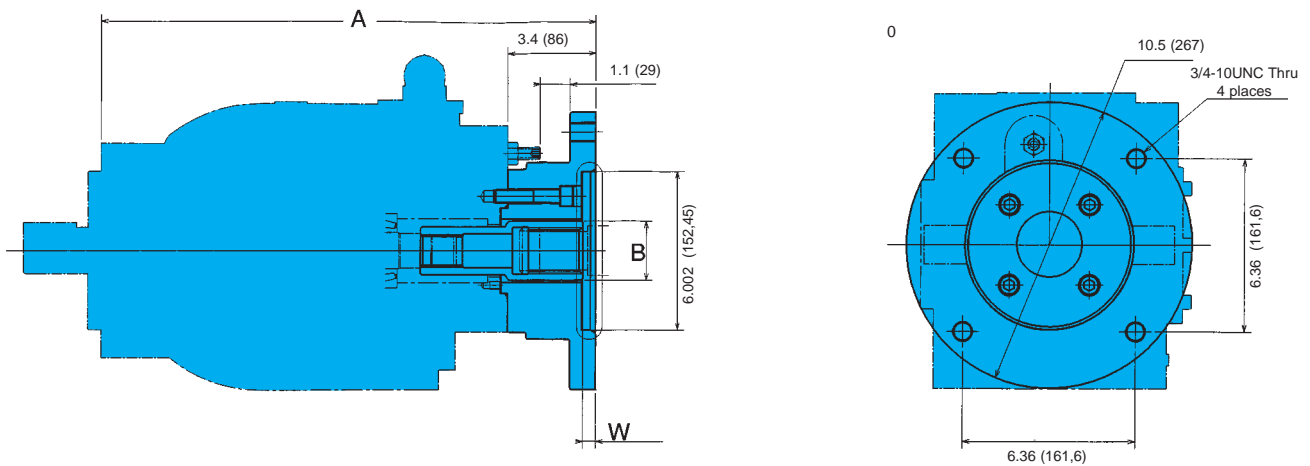
	A	D	W
PVT38	13.68 (347,5)	1.7 (44)	.492 (12,50)
PVT47	15.21 (386,4)	1.7 (44)	.531 (13,51)
PVT64	16.97 (431,0)	1.7 (44)	.496 (12,60)

SAE - CC REAR DRIVE

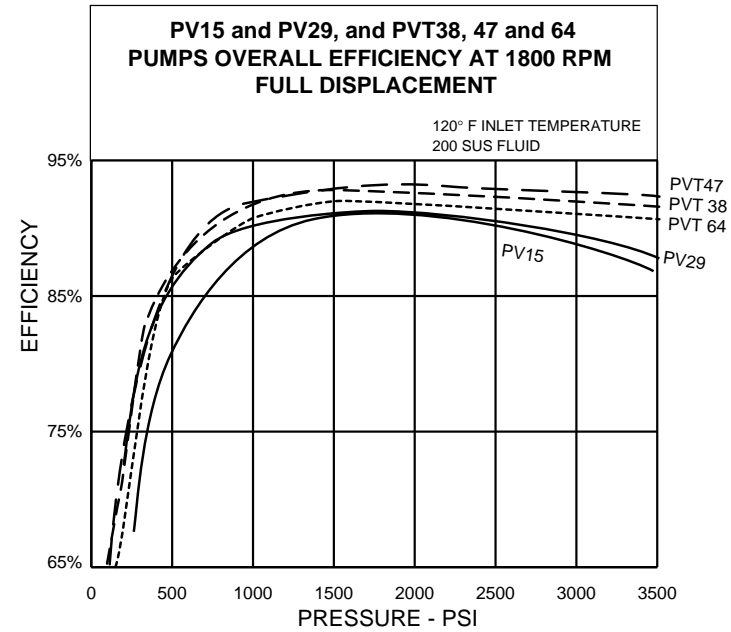
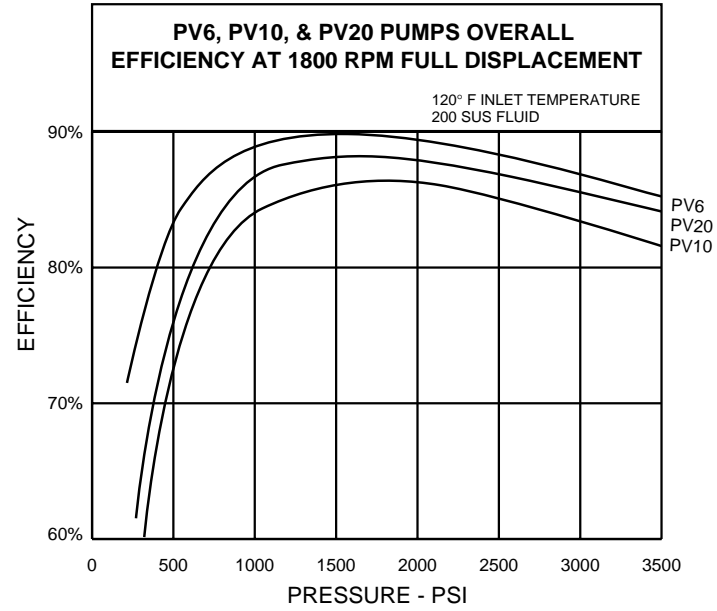
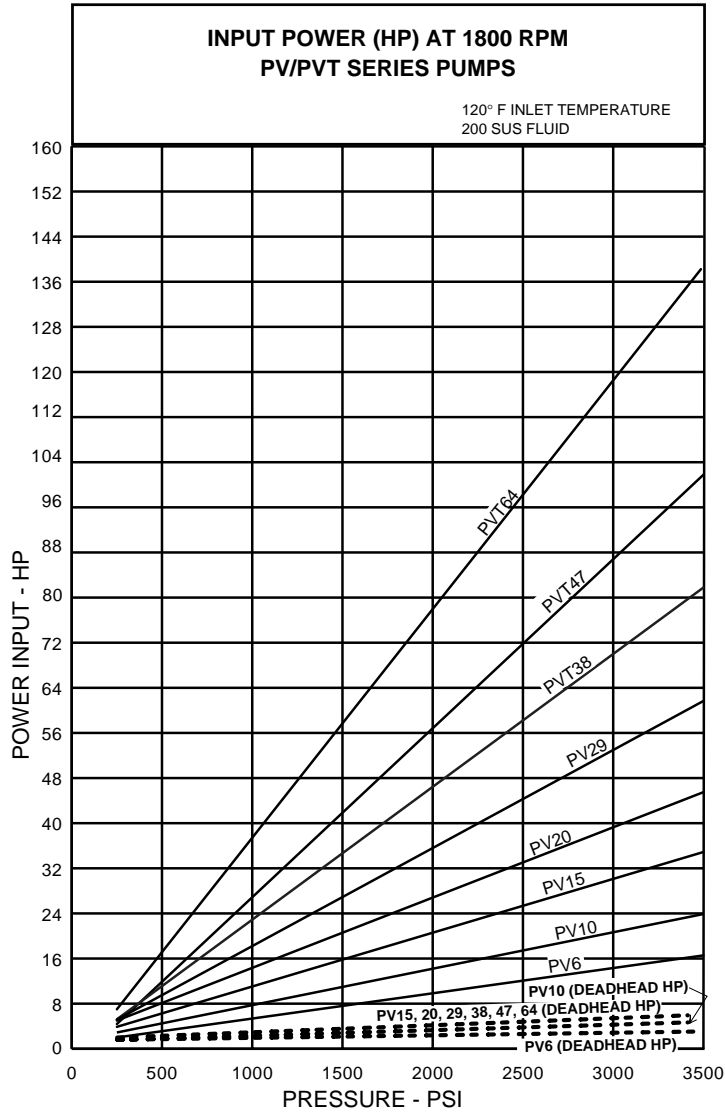


	A	B	W
PVT38	15.10 (383,5)	2.0 (51)	.492 (12,50)
PVT47	16.62 (422,4)	2.0 (51)	.531 (13,51)
PVT64	18.39 (467,0)	2.0 (51)	.496 (12,60)

SAE - D REAR DRIVE

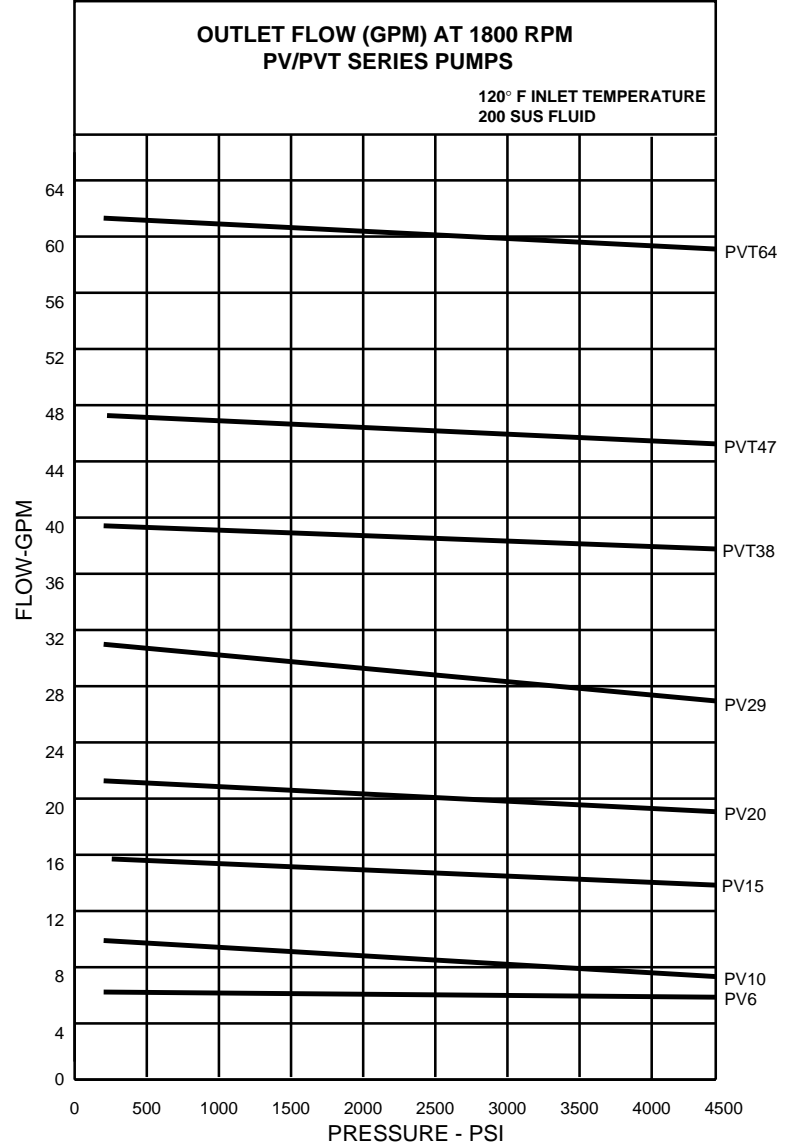
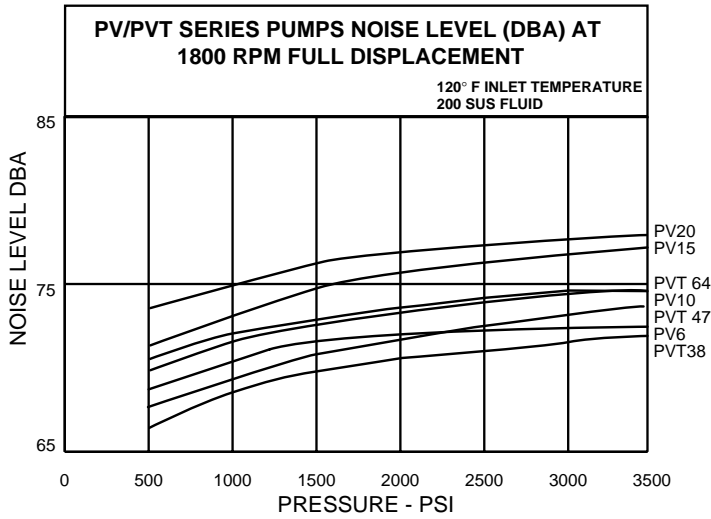
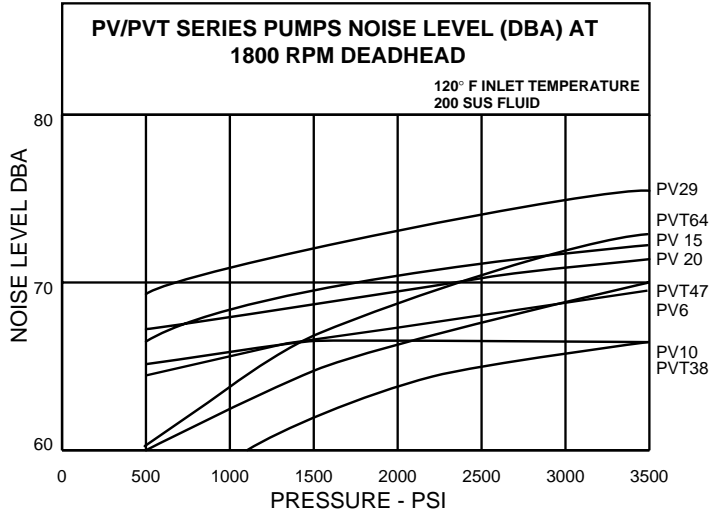


	A	B	W
PVT64	18.8 (477)	2.2 (57)	.496 (12,60)



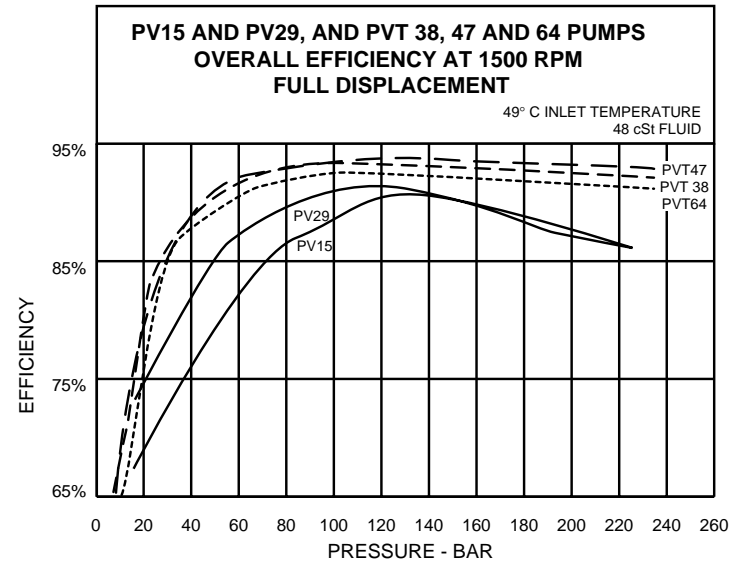
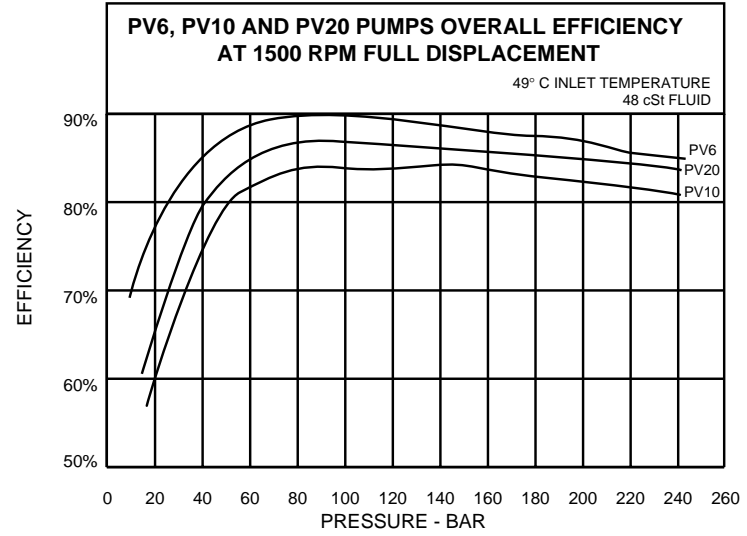
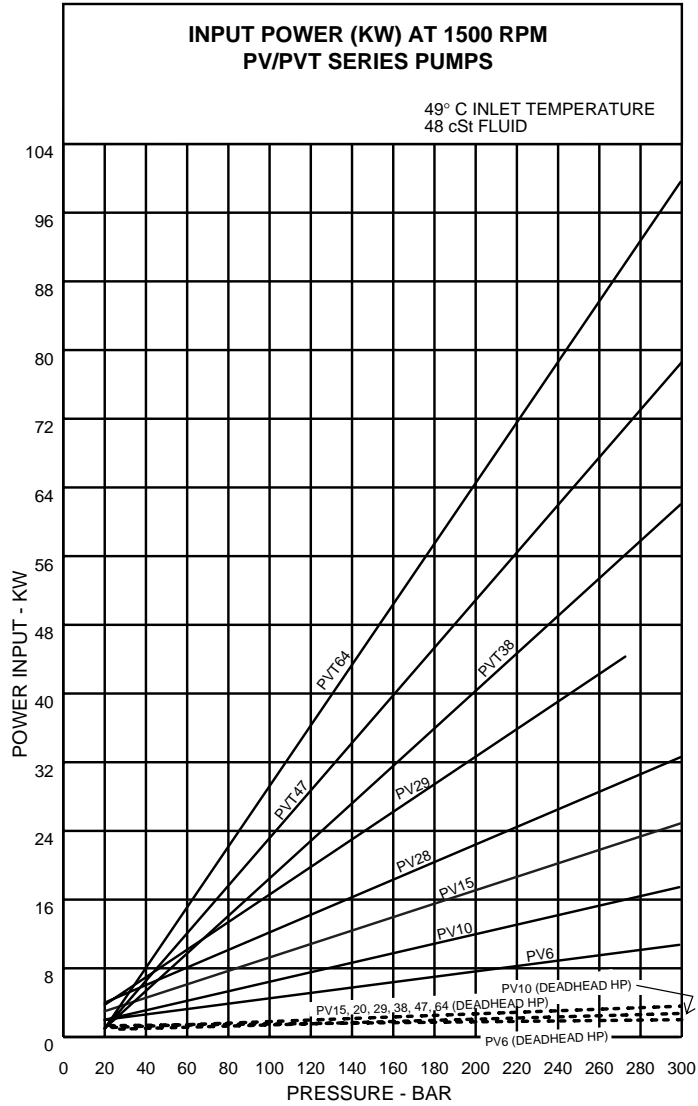
@ 1800 RPM

PERFORMANCE CURVES (PSI)



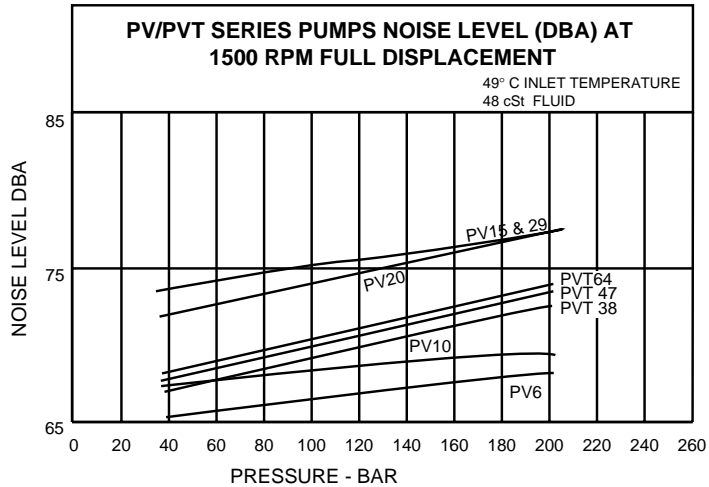
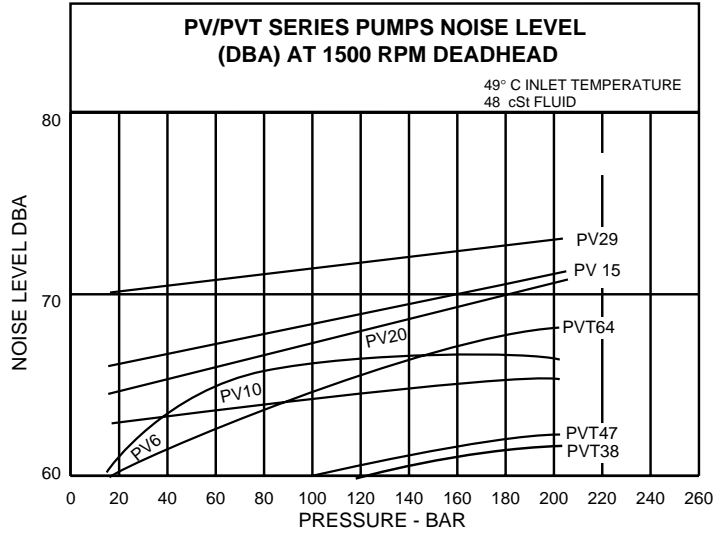
@ 1800 RPM

PERFORMANCE CURVES (PSI)



@ 1500 RPM

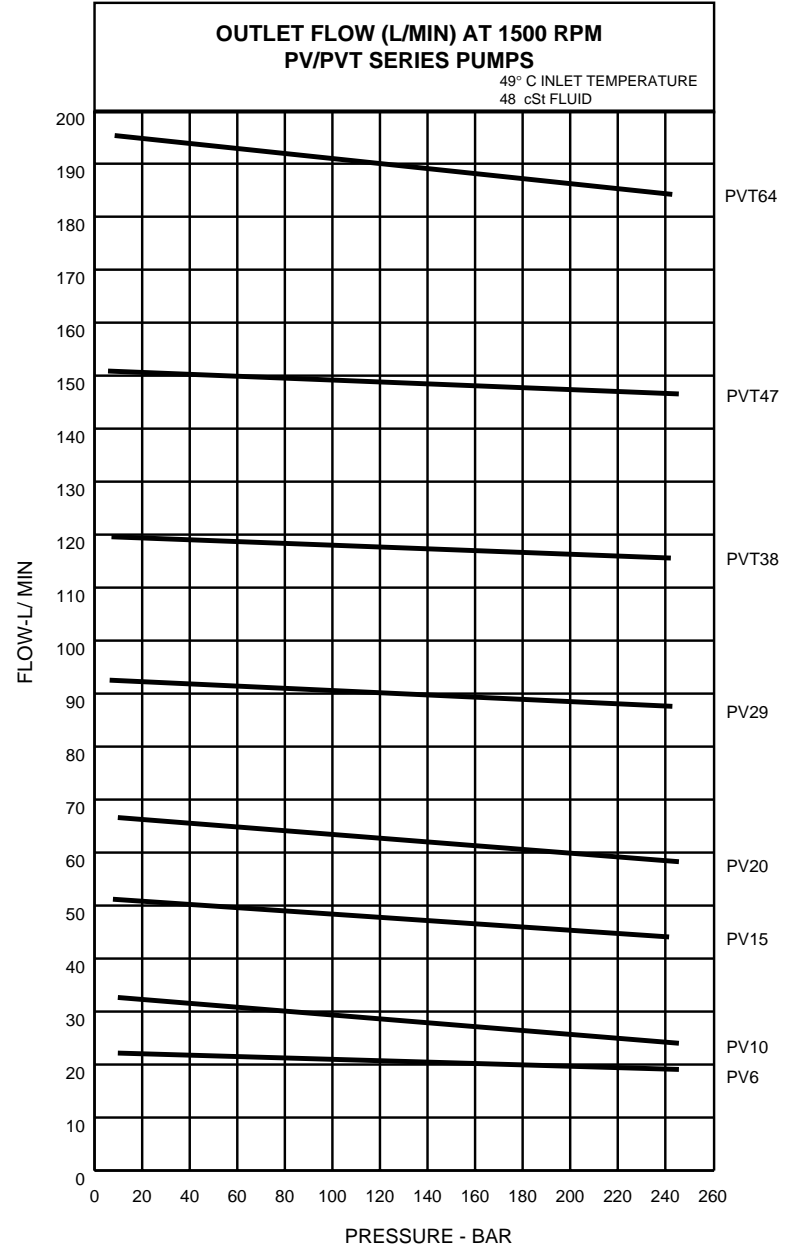
PERFORMANCE CURVES (BAR)



NOISE LEVEL MEASUREMENT

MEASUREMENTS OF PUMP ACOUSTICAL DATA WERE MADE IN ACCORDANCE WITH ANSI B93.71M-1986. HYDRAULIC FLUID POWER-PUMPS-TEST CODE FOR THE DETERMINATION OF AIRBORNE NOISE LEVELS. (TECHNICALLY SIMILAR TO ISO 4412-1)

THE MEASUREMENTS WERE MADE IN A SPECIAL REVERBERANT TEST ROOM IN THE DENISON HYDRAULICS MARYSVILLE FACULTY WHICH WAS QUALIFIED TO ANSI S12.23-1990, (REVISION OF ANSI S1.33-1982). ENGINEERING METHODS FOR THE DETERMINATION OF SOUND POWER LEVELS OF NOISE SOURCES IN A SPECIAL REVERBERATION TEST ROOM.



@ 1500 RPM

PERFORMANCE CURVES (BAR)

PV 6 -2 R 1 C -C 0 0 -A A 0

Pump series

- PV -variable volume pump - no rear drive
- PVT -variable volume pump - side ported or rear drive
- PVM -mobile version, rear port, PV20 only
- PVR -mobile version, side port, PV20 only

Flow at 1800 rpm

- 6 -6.8 gpm, 25,7 Lpm
- 10 -10.0 gpm, 37,9 Lpm
- 15 -16.3 gpm, 61,7 Lpm
- 20 -20.4 gpm, 77,2 Lpm
- 29 -29.5 gpm, 111,7 Lpm
- 38 -38.0 gpm, 144,0 Lpm
- 47 -47.6 gpm, 180,0 Lpm
- 64 -61.8 gpm, 234,0 Lpm

Shaft

- 1 -splined
- 2 -keyed
- 4 -splined- SAE 25-4 (SAE B-B) (for PVT15 only)
- 5 -keyed- SAE 25-1 (SAE B-B) (for PVT15 only)

Rotation

- R -CW
- L -CCW

Seals

- 1 -Buna compound
- 5 -Viton compound

Design

- C -assigned by manufacturer

Control

- C -compensator
- F -ventable compensator
- L -load sense compensator
- J -low torque limiter (max. pressure below 3000 PSI, 207 BAR)
- K -high torque limiter (max. pressure above 3000 PSI, 207 BAR)

Control accessories

- 0 -maximum volume adjustment screw

Fluid connections

- 0 -SAE straight thread sizes 6-29 only
- 2 -BSPP thread sizes 6-29 only
- 3 -SAE, with 4 bolt flange system ports sizes 6-64 only
- 4 -BSP, with SAE-4 bolt flange system ports sizes 6-29 only

Rear drive

- 0 -none-rear ported sizes 6-29 only
- S -none-side ported sizes 6-64 only
- A -SAE-82 (SAE A) sizes 6-64 only
- B -SAE-101 (SAE B) sizes 10-64 only
- C -SAE-127 (SAE C) sizes 15-64 only
- D -SAE-152 (SAE D) size 64 only

Couplings

- 0 -none sizes 6-64 only
- A -SAE-16-4 (SAE A) sizes 6-64 only
- B -SAE-22-4 (SAE B) sizes 10-64 only
- Q -SAE-25-4 (SAE B-B) sizes 38-64 only
- C -SAE-32-4 (SAE C) sizes 15-64 only
- R -SAE-38-4 (SAE-CC) sizes 38-64 only
- D -SAE-44-4 (SAE-D) size 64 only

Rear mounted pump

- 0 -none
- 1 -mounted

Shaft sizes

	spline	key
PV6, PVT6	SAE- 22-4 (B)	19-1 (A)
PV10, PVT10	SAE- 22-4 (B)	22-1 (B)
PV15, PVT15	SAE- 22-4 (B)	22-1 (B)
PVT15 (use 4, 5)	SAE- 25-4 (B-B)	25-1 (B-B)
PV20, PVT20	SAE- 32-4 (C)	32-1 (C)
PVM20/PVR20	SAE- 32-4 (C)	32-1 (C)
PV29, PVT29	SAE- 32-4 (C)	32-1 (C)
PVT38	SAE- 38-4 (CC)	38-1 (CC)
PVT47	SAE- 38-4 (CC)	44-1 (D)
PVT64	SAE- 44-4 (D)	44-1 (D)

Allowable controls: C00, C02, C03, C04, F00, F02, F03, F04, J00, J02, J03, J04, K00, K02, K03, K04, L00, L02, L03, L04

DEFINITION & UNIT

<i>displacement</i>	$\text{in}^3/\text{rev} \times 16.387 = \text{cm}^3/\text{rev}$	$\text{cm}^3/\text{rev} \times 0.06102 = \text{in}^3/\text{rev}$
<i>flow</i>	$\text{gpm} \times 3.78 = \text{L}/\text{min}$	$\text{L}/\text{min} \times 0.2642 = \text{gpm}$
<i>power</i>	$\text{hp} \times 0.7457 = \text{kW}$	$\text{kW} \times 1.341 = \text{hp}$
<i>torque</i>	$\text{lb-ft} \times 1.3567 = \text{Nm}$	$\text{Nm} \times 0.7376 = \text{lb-ft}$
<i>pressure</i>	$\text{lbs}/\text{in}^2 \text{ (psi)} \times 0.06895 = \text{bar}$ $\text{lbs}/\text{in}^2 \text{ (psi)} \times 6.895 = \text{kPa}$	$\text{bar} \times 14.50 = \text{lbs}/\text{in}^2 \text{ (psi)}$ $\text{kPa} \times 0.1450 = \text{lbs}/\text{in}^2 \text{ (psi)}$
<i>weight</i>	$\text{lb} \times 0.4536 = \text{kg}$	$\text{kg} \times 2.205 = \text{lbs}$
<i>force</i>	$\text{lb} \times 4.448 = \text{N}$	$\text{N} \times 0.2248 = \text{lbs}$
<i>volume</i>	$\text{in}^3 \times 16.387 = \text{cm}^3$	$\text{cm}^3 \times 0.06102 = \text{in}^3$
<i>area</i>	$\text{in}^2 \times 6.452 = \text{cm}^2$	$\text{cm}^2 \times 0.1550 = \text{in}^2$
<i>length</i>	$\text{in} \times 25.4 = \text{mm}$	$\text{mm} \times 0.03937 = \text{in}$
<i>temperature</i>	$\text{degree F} - 32 = \text{ }^\circ\text{C}$ 1.8	$1.8 \times \text{ }^\circ\text{C} + 32 = \text{ }^\circ\text{F}$
<i>viscosity</i>	$\text{cSt} \times 1.0 = \text{mm}^2/\text{sec}$	$\text{mm}^2/\text{sec} \times 1.0 = \text{cSt}$

FLUID POWER FORMULAS

<i>Pump input torque</i>	<i>lbs. in.</i>	$\frac{\text{pressure}(\text{psi}) \times \text{displacement} (\text{in}^3/\text{rev})}{2\pi \times \text{mech. eff.}}$
<i>Pump input power</i>	<i>hp</i>	$\frac{\text{rpm} \times (\text{in}^3/\text{rev}) \times (\text{psi})}{395934 \times \text{overall eff.}}$
<i>Pump output flow</i>	<i>U.S. gpm</i>	$\frac{\text{rpm} \times (\text{in}^3/\text{rev}) \times \text{volumetric eff.}}{231}$
<i>Fluid motor speed</i>	<i>rpm</i>	$\frac{231 \times \text{flow rate}(\text{U.S. gpm}) \times \text{volumetric eff.}}{\text{displacement} (\text{in}^3/\text{rev})}$
<i>Fluid motor torque</i>	<i>lbs. in.</i>	$\frac{\text{pressure}(\text{psi}) \times \text{displacement} (\text{in}^3/\text{rev}) \times \text{mech. eff.}}{2\pi}$
<i>Fluid motor power</i>	<i>hp</i>	$\frac{\text{rpm} \times (\text{in}^3/\text{rev}) \times (\text{psi}) \times \text{overall eff.}}{395934}$
(metric)		
<i>Pump input torque</i>	<i>Nm</i>	$\frac{\text{pressure}(\text{bar}) \times \text{displacement} (\text{cm}^3/\text{rev})}{20\pi \times \text{mech. eff.}}$
<i>Pump input power</i>	<i>kW</i>	$\frac{\text{rpm} \times (\text{cm}^3/\text{rev}) \times (\text{bar})}{600000 \times \text{overall eff.}}$
<i>Pump output flow</i>	<i>Lpm</i>	$\frac{\text{rpm} \times (\text{cm}^3/\text{rev}) \times \text{volumetric eff.}}{1000}$
<i>Fluid motor speed</i>	<i>rpm(min⁻¹) (tr/mn)</i>	$\frac{1000 \times \text{flow rate} (\text{Lpm}) \times \text{volumetric eff.}}{\text{displacement} (\text{cm}^3/\text{rev})}$
<i>Fluid motor torque</i>	<i>Nm</i>	$\frac{\text{pressure}(\text{bar}) \times \text{displacement} (\text{cm}^3/\text{rev}) \times \text{mech. eff.}}{20\pi}$
<i>Fluid motor power</i>	<i>kW</i>	$\frac{\text{rpm} \times (\text{cm}^3/\text{rev}) \times (\text{bar}) \times \text{overall eff.}}{600000}$

"The product information specifications and descriptions contained in this catalog have been compiled for the use and convenience of our customers from information furnished by the manufacturer, and we cannot and do not accept any responsibility for the accuracy or correctness of any description, calculation, specification or information contained herein. No such description, calculated, specified or information regarding the products being sold has been made part of the basis of the bargain nor has same created or amounted to an express warranty that the products would conform thereto. **We are selling the goods and merchandise illustrated and described in this catalog on an as is basis and disclaim any implied warranty, including any warranty of merchantability or warranty of fitness for any particular purposes whatsoever, with respect to the goods and merchandise sold.** All manufacturer warranties shall be passed on to our customers, but we shall not be responsible for special, indirect, incidental or consequential damages resulting from the use of any of the products or information contained or described in the catalog."

International Distributors

In Europe:

Cyprus
Czech Republic
Eastern Europe
The Faroe Islands
Finland
Greece
Hungary
Iceland
Norway
Poland
Portugal
Roumania
Russia
Serbia Montenegro
Slovakia
Slovenia
Switzerland
Turkey

In Africa:

Algeria
Egypt
Ivory Coast
Morocco
Nigeria
South Africa
Togo
Tunisia

In Middle East:

Bahrain
Iran
Israel
Jordan
Lebanon
Pakistan
Qatar
Saudi Arabia
Syria
United Arab Emirates

In Far East:

Indonesia
Korea
Malaysia
New Zealand
Philippines
Thailand

Australia

DENISON HYDRAULICS Pty. Ltd.
41-43 St. Hillers Road
P.O. Box 192
Auburn, N.S.W. 2144
Australia
Tel. (612) 9646 5200
Fax (612) 9643 1305

Other sales offices:

Queensland
South Wantima Victoria
Western Australia

Austria

DENISON HYDRAULIK GmbH
Zweigniederlassung Linz
Haidbachstraße 69
A-4061 Pasching
Austria
Tel. (43) 7229 4887
Fax (43) 7229 63092

Benelux

DENISON HYDRAULICS
BENELUX B. V.
Pascalstraat 100
3316 Dordrecht
Holland
Tel. (31) 786179 900
Fax (31) 786175 755

Canada

DENISON HYDRAULICS
CANADA Inc.
2320 Bristol Circle, Unit 1
Oakville, ON L6H 5S2
Canada
Tel. (905) 829 5800
Fax (905) 829 5805

Denmark

DENISON HYDRAULIK
DENMARK A/S
Industrikrogen 2
DK-2635 Ishøj
Denmark
Tel. (45) 4371 15 00
Fax (45) 4371 15 16

Finland

DENISON HYDRAULICS
P.O. Box 1096
Alhotie 24
FIN-04431 Järvenpää
Finland
Tel./Fax (358) 0 2710 588

France

DENISON HYDRAULICS
FRANCE SA
14, route du Bois Blanc
BP 539
18105 Vierzon
France
Tel. (33) 2 48 53 01 20
Fax (33) 2 48 75 02 91

Other sales offices:

Bordeaux
Lyon
Paris

Germany

DENISON HYDRAULIK GmbH
Herderstrasse 26
D-40721 Hilden
Germany
Tel. (49) 2103 940-6
Fax (49) 2103 940-880

Other sales offices:

Dresden
Hanover
Stuttgart

Great Britain

DENISON HYDRAULICS U.K.
Ltd.
Kenmore Road
Wakefield 41, Industrial Estate
Wakefield, WF20XE
West Yorkshire
England
Tel. (44) 19 24 826 021
Fax (44) 19 24 826 146

Other sales offices:

Burgess Hill

Hong Kong

DENISON HYDRAULICS Ltd.
Unit 2, 25/F Wharf Cable Tower
9 Hoi Shing Road
Tsuen Wan
N.T., Hong Kong
Tel. (852) 24988381
Fax (852) 24991522

Italy

DENISON HYDRAULICS S.r.l.
Viale Europa 68
20090 Cusago
Milano
Italy
Tel. (39) 2 90330 1
Fax (39) 2 90390 695

Japan

DENISON JAPAN Inc.
4-2-1 Tsujido-Shinmachi
Fujisawa 251,
Japan
Tel. (81) 466 35 3257
Fax (81) 466 35 2029

Other sales office:

Osaka

Mexico, Central America, South America and Caribbean Countries Contact

DENISON HYDRAULICS Inc.
6167 NW 181 Terrace Circle North
Miami, FL 33015
USA
Tel. (305) 362 2246
Fax (305) 362 6220

P.R. China

DENISON HYDRAULICS Ltd.
3F, No. 1, Mao Jia Zhai, Bai Lian Jing
Pudong New Area,
Shanghai 200126, China
Tel. (86) 21 5886 8991
Fax (86) 21 5886 1978

Singapore

DENISON HYDRAULICS S.E.A. Pte.
Ltd.
No. 11 Lorong Tukang Dua
Singapore 2261
Tel. (65) 2687840
Fax (65) 2687847

Spain

DENISON HYDRAULICS, S.A.
Gomis, 1
08023 Barcelona
Spain
Tel. (34) 3418 46 87
Fax (34) 3211 65 07

Other sales offices:

San Sebastian

Sweden

DENISON HYDRAULICS
SVENSKA AB
Sporregatan 13
213 77 - Malmö
Sweden
Tel. (46) 40 21 04 40
Fax (46) 40 21 47 26

Other sales offices:

Spånga

Taiwan

DENISON HYDRAULICS Ltd.
6F-10, No. 79, Sec. 2, Roosevelt road,
Taipei, Taiwan, R.O.C.
Tel. (886) 2 3645101 / 3645102
Fax (886) 2 3639025

USA

DENISON HYDRAULICS Inc.
14249 Industrial Parkway
Marysville, OH 43040
USA
Tel. 937 644 3915
Fax 937 642 3738
For nearest Distributor:
Call toll free 1 800 551 5956
E-Mail address:
denison@denisonhydraulics.com
WWW address:
http://www.denisonhydraulics.com

Other sales offices:

Fulton, CA
Mulberry, FL
Moline, IL
Rock Island, IL
Kentwood, MI
Portland, OR
Canton, MS
Arlington, TX
Houston, TX

Other European, Middle East and African Countries Contact

DENISON HYDRAULICS
FRANCE SA
14, route du Bois Blanc
BP 539
18105 Vierzon Cedex
France
Tel. (33) 2 48 53 01 44
Fax (33) 2 48 53 01 46

Your local DENISON representative