



PM 3040-25

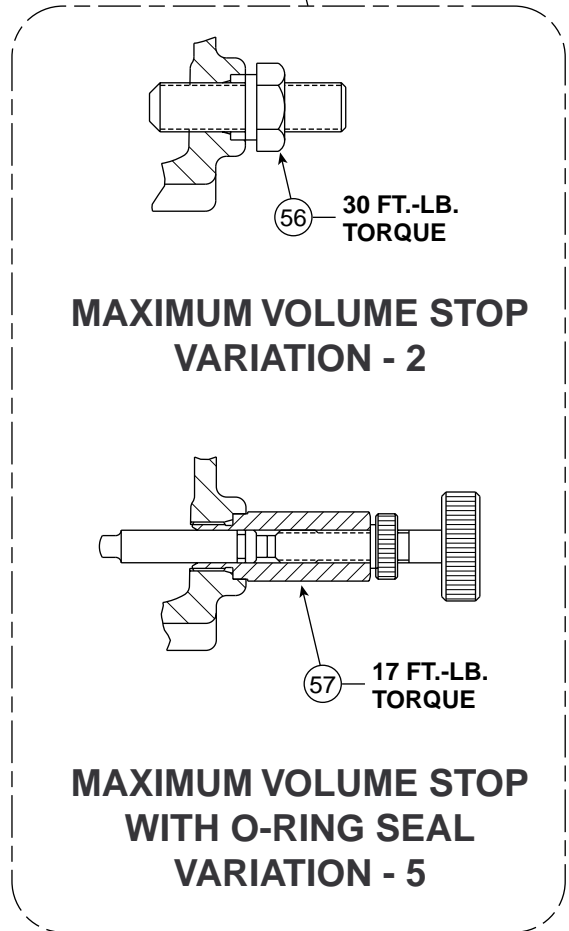
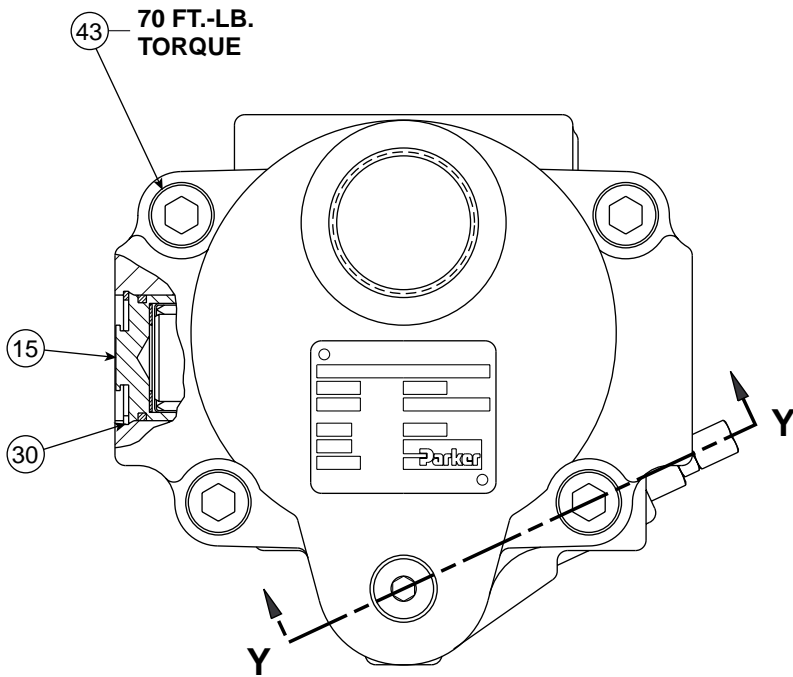
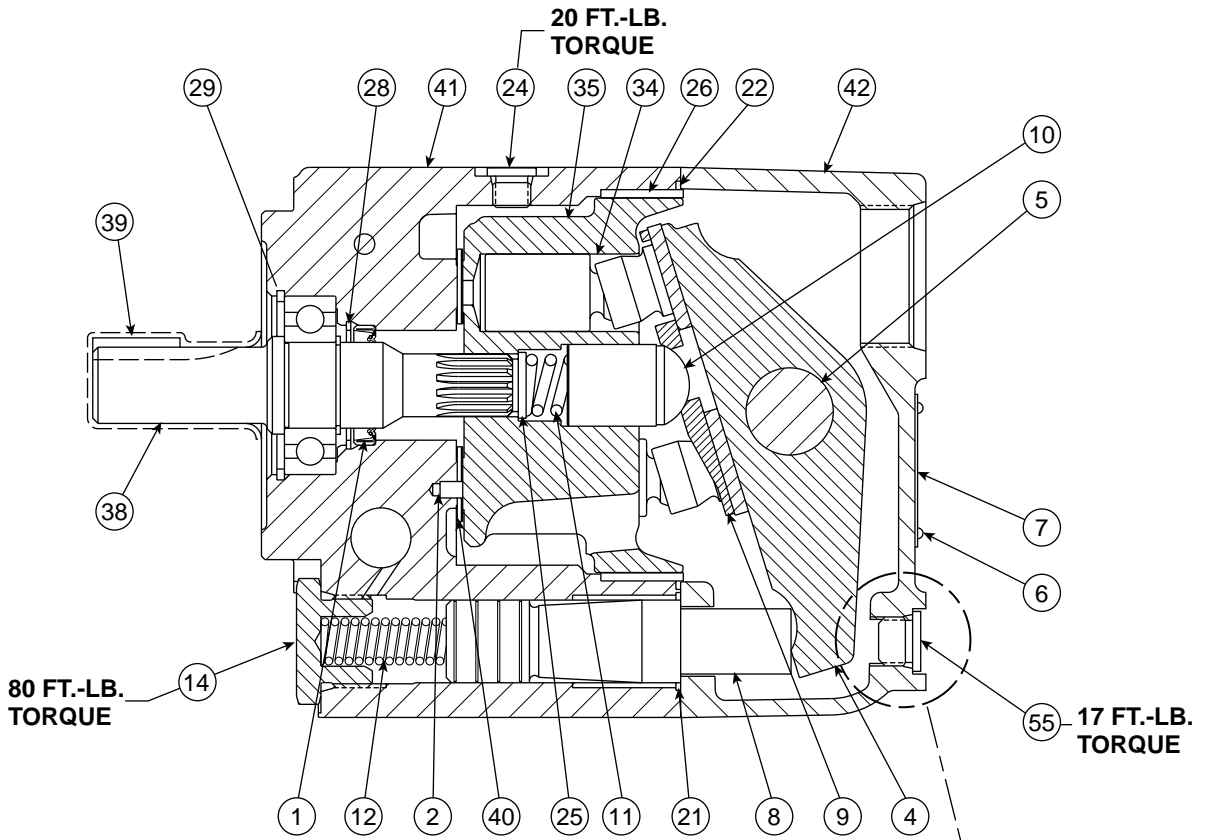
Service Parts Guide

Effective: February, 1997

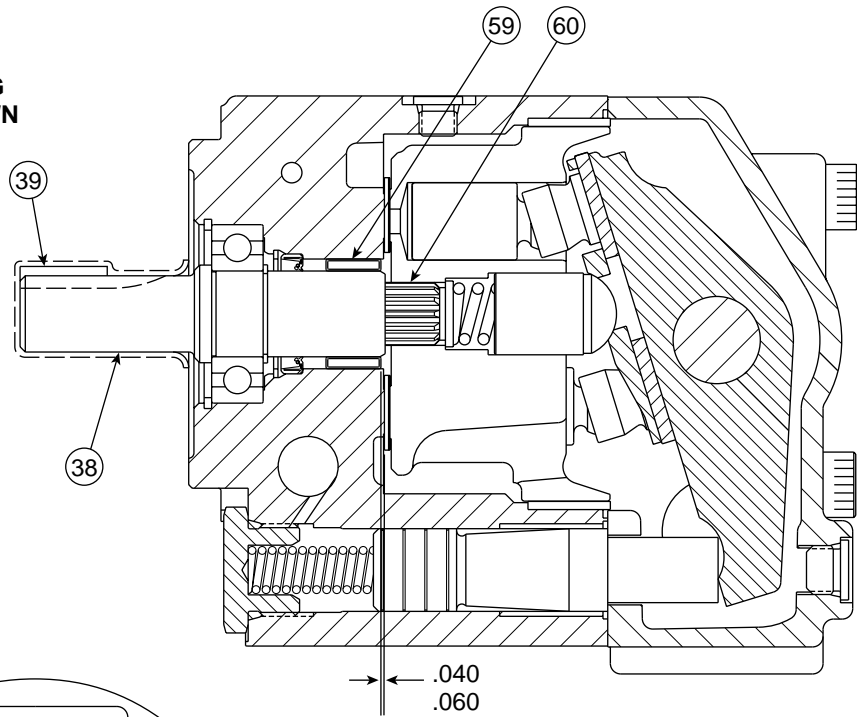
PAVC SERIES VARIABLE VOLUME PISTON PUMP

Model PAVC33 * * * * 25

PAVC38 * * * * 15

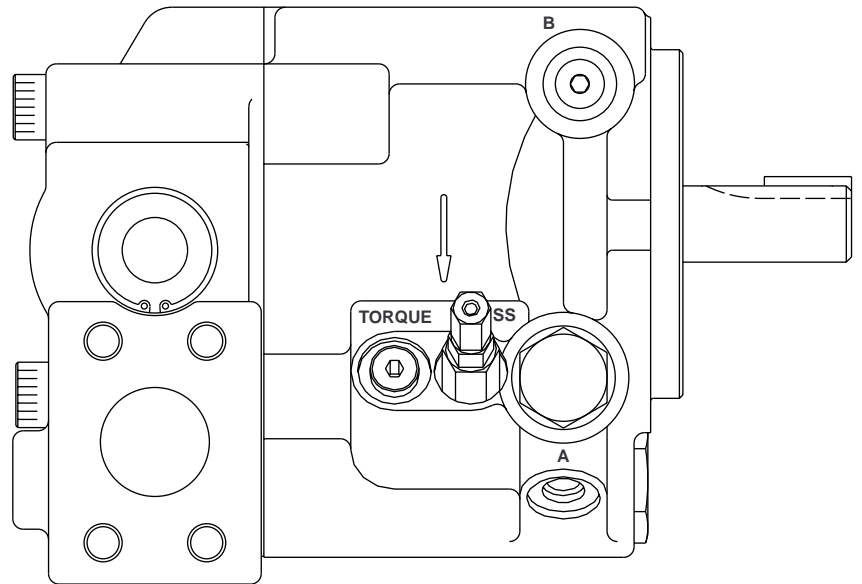
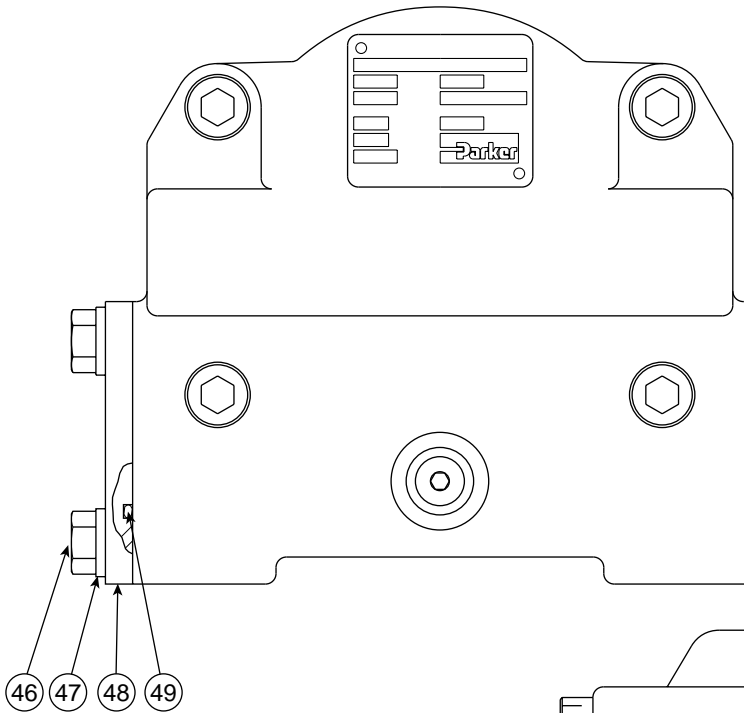


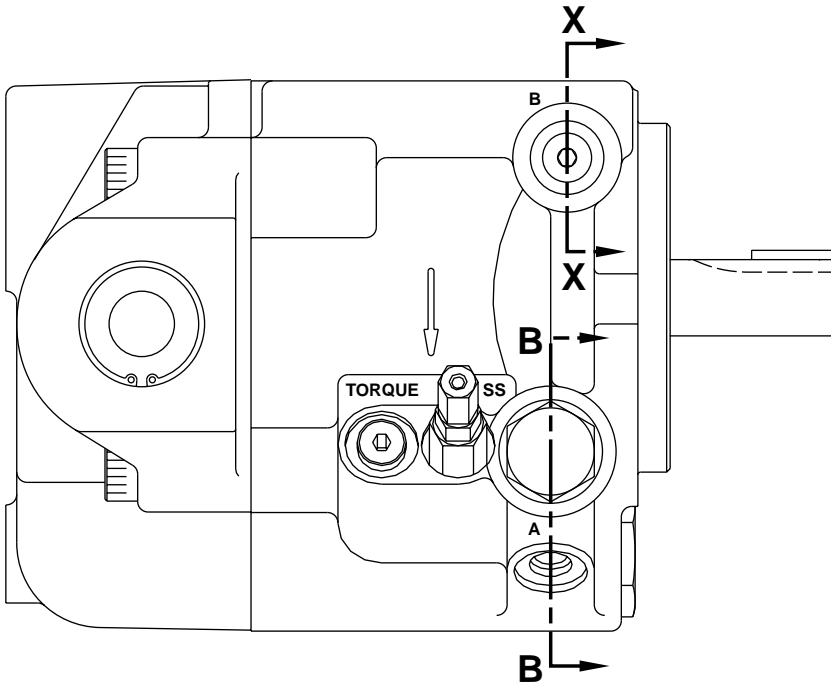
**DUAL SHAFT BEARING
CONFIGURATION SHOWN
(OPTION 9)**



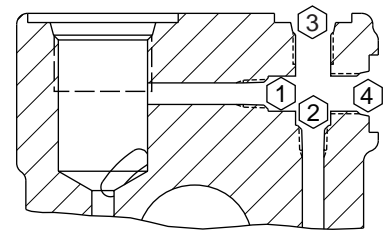
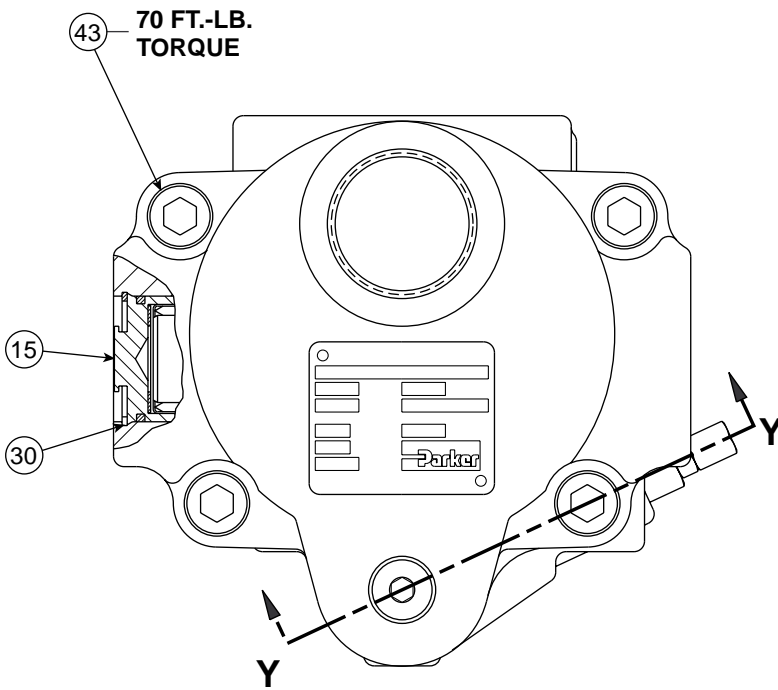
INSTALLED DEPTH OF NEEDLE
BEARING, ITEM #59 BELOW
PORT PLATE FACE OF HOUSING

**SIDE PORTED
(OPTION 2) PUMP SHOWN**

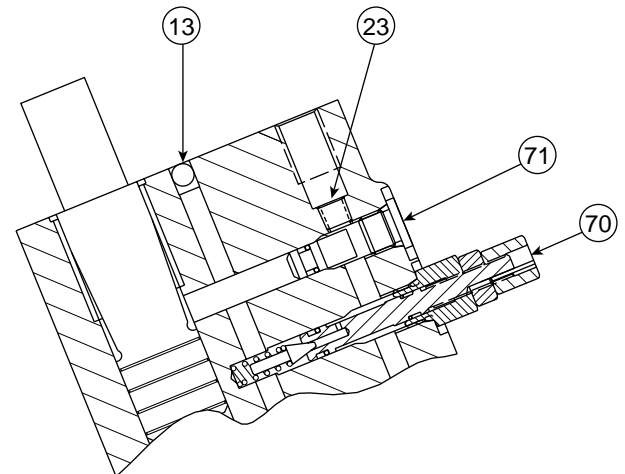




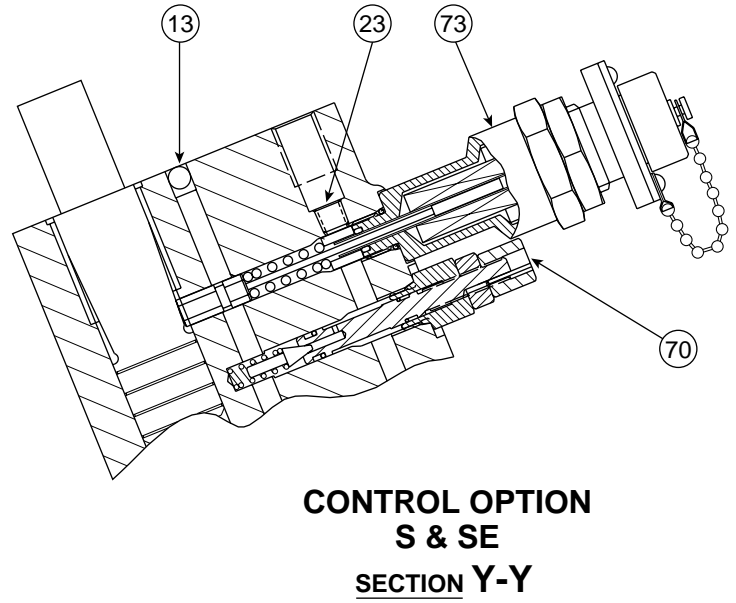
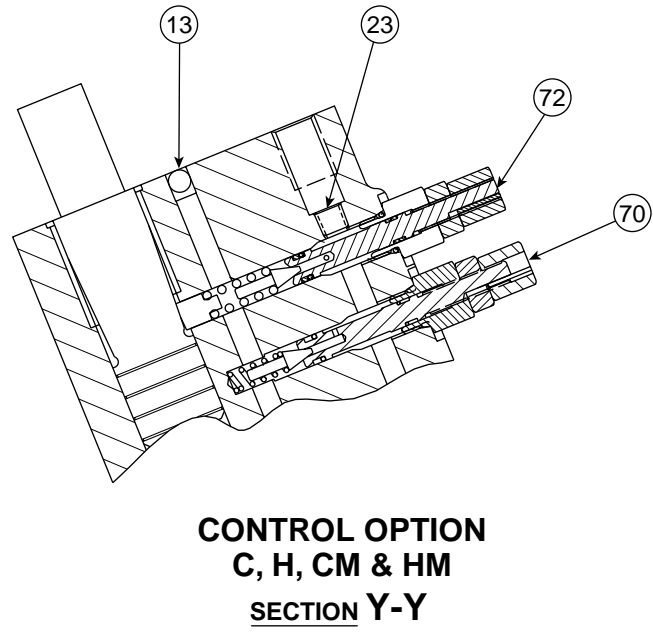
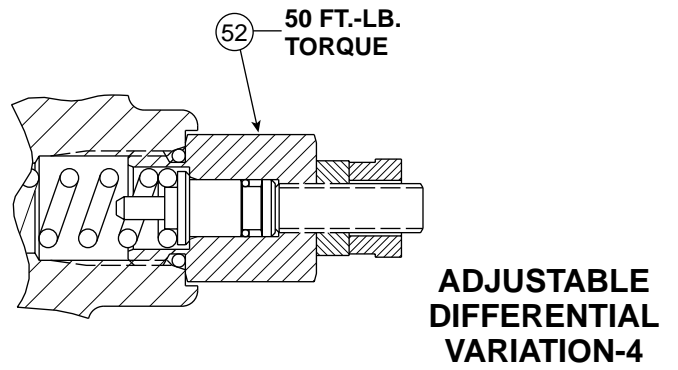
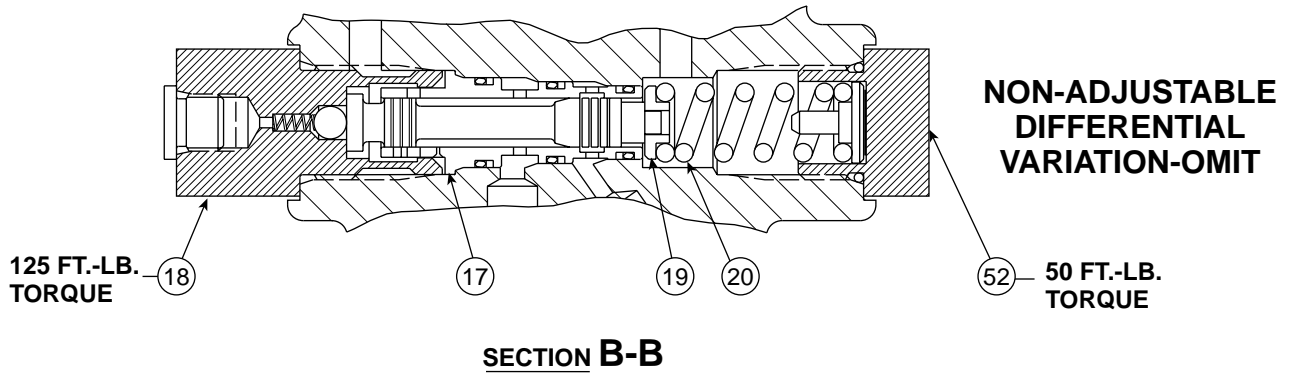
POSITION				
CONTROL OPTION	1	2	3	4
OMIT	OPEN	800599	108X4	108X4
A	102X1	800599	OPEN	108X4
C	102X1	800599	OPEN	108X4
H	OPEN	800599	108X4	108X4
M	800599	OPEN	OPEN	108X4
ME	102X1	800599	OPEN	108X4
S	800599	OPEN	OPEN	108X4
SE	102X1	800599	OPEN	108X4
AM	102X1	800599	786635	OPEN
CM	102X1	800599	786635	OPEN
HM	800599	OPEN	OPEN	108X4

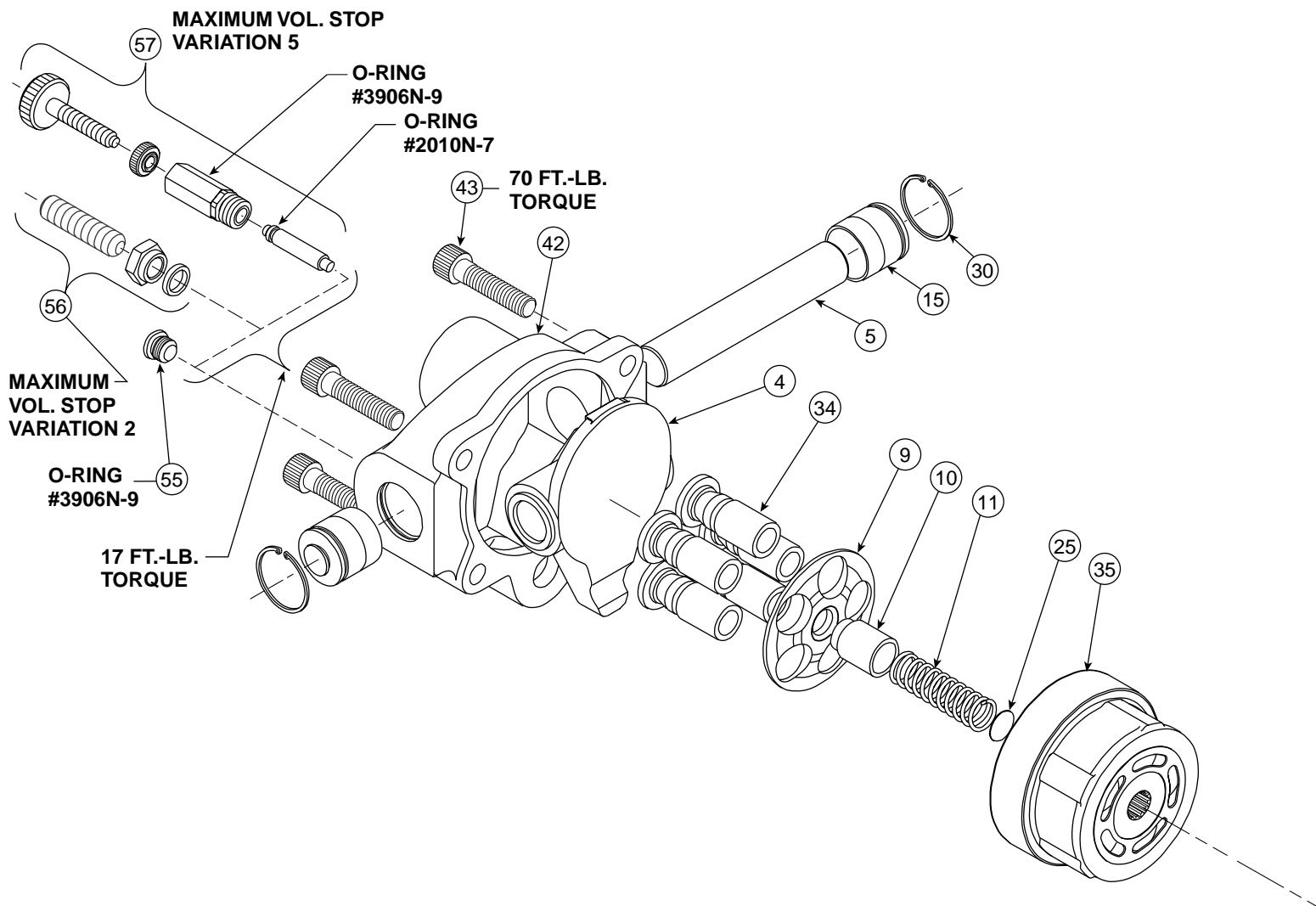


SECTION X-X



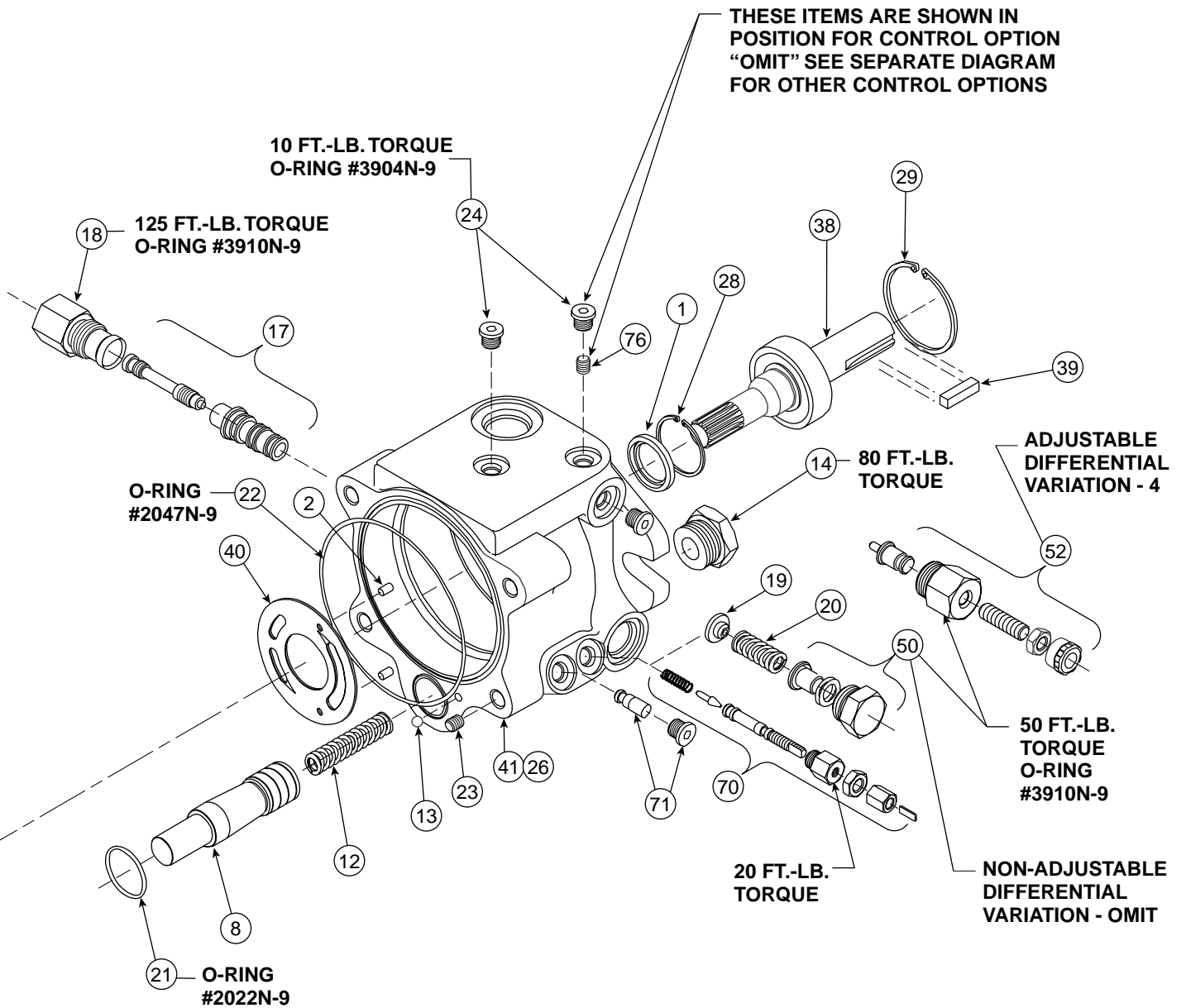
**CONTROL OPTION OMIT
A, M, ME, AM & W
SECTION Y-Y**





SERVICE NOTES:

- Use a clean lubricant (compatible with the working fluid) on all pump components during assembly.
- Thoroughly clean the reservoir, suction lines, suction strainer, drain lines, etc., before re-installing the pump. Most premature pump failures occur when contaminants from a previous failure have not been completely removed from the system, or cause for previous failure is still present (i.e. water in oil, bypassing filter, etc.).
- Always fill the case with clean fluid before starting a new or serviced pump (fill as high as inlet port will allow on a PAVC style pump). For flooded suction, purge air from suction lines by cracking the inlet fitting or vent plug on pump body. This should prevent an airlock condition and allow for faster priming.
- Check for proper shaft rotation, if there is a possibility it may have changed during a system rebuild.
- Start pump with an open circuit whenever possible. Reduce the compensator to its minimum setting during start-up. Cycle the pump ON and OFF stroke while increasing the compensator to its required setting. This will assist in break-in of new components and help purge air from the case.



NOTE: Pump shown is a left hand (CCW) rotation. For a right hand (CW) rotation pump, the port plate kidneys and outlet port orientation will be reversed.

PAVC

ITEM	PART NUMBER	QTY	DESCRIPTION
1	745761	1	SHAFT SEAL
2	785396	2	PIN - PORT PLATE
3			
4	786174	1	SWASH PLATE
5	766094	1	TRUNNION PIN
6	39X10	2	DRIVE SCREW
7	800511	1	NAME PLATE
8	786170	1	SERVO PISTON
9	786886	1	SLIPPER RETAINER
10	785767	1	BALL SEAT
11	788205	1	SPRING-BARREL
12	MA786380	1	SPRING-SERVO
13	98X16	1	BALL
14	787060N	1	PLUG-SERVO ASSY
15	787061N	2	TRUNNION CAP ASSY
16			
17	787056N	1	SPOOL & SLEEVE ASSY
18	786946N	1	AIRBLEED ASSY
19	786116	1	RETAINER-SPRING
20	786113	1	SPRING-MOD.
21	2022N-9	1	O-RING
22	2047N-9	1	O-RING
23	102X1	1	PLUG
24	108X4	1	PLUG
25	786280	1	RETAINER
26	786887	1	BARREL BUSHING
27			
28	56X317	1	SNAP RING
29	56X327	1	SNAP RING
30	56X318	2	SNAP RING
31			
32			
33			

P
A
V
C

ITEM	PART NUMBER	QTY	DESCRIPTION	
33	34	787981	5	PISTON ASSEMBLY
	35	785394	1	BARREL
38	34	787982	5	PISTON ASSEMBLY
	35	786310	1	BARREL

O M I T	S	38	787057	1	SHAFT-LONG-1PC ASSY
		39	22X19	1	KEY-SQUARE
B	38	787059	1	SHAFT-SPLINE-ASSY	
	38	787058	1	SHAFT-SHORT-ASSY	
S	39	21X12	1	KEY-WOODRUFF	
	38	787601	1	SHAFT-LONG-ASSY	
O M I T	39	22X19	1	KEY-SQUARE	
	B	38	787602	1	SHAFT-SPLINE-ASSY
S	38	787603	1	SHAFT-SHORT-ASSY	
	39	21X12	1	KEY-WOODRUFF	
9	59	786369	1	NEEDLE BEARING	
	60	786373	1	IDLER SHAFT	

NOTES:

- SEAL KIT P/N SKPAVC33** FOR PAVC33
SEAL KIT P/N SKPAVC38** FOR PAVC38
(** - DESIGN SERIES)

- ROTATING GROUP KIT RRPVAVC33 ** FOR PAVC33 (** - DESIGN SERIES)
 - R (CW)
 - L (CCW)

- ROTATING GROUP KIT RRPVAVC38 ** FOR PAVC38 (** - DESIGN SERIES)
- R (CW)
 - L (CCW)

ITEM	PART NUMBER	QTY	DESCRIPTION
OMIT	42	786514	1 TRUNNION HSG.
	43	10X295	4 CAP SCREW
2	42	786824	1 TRUNNION HSG.
	43	10X299	4 CAP SCREW
	46	12X275	2 SCREW HEX HEAD
	47	36X10	2 LOCKWASHER
	48	735125	1 FLANGE
	49	2222N-7	1 O-RING

ITEM	PART NUMBER	QTY	DESCRIPTION
R	40	786427	1 PORT PLATE, CW
	41	787199	1 HOUSING-R.H.
L	40	786428	1 PORT PLATE, CCW
	41	787571	1 HOUSING-L.H.

OMIT	50	786949N	1	NON-ADJ.DIFF.ASSY
4	52	786950N	1	ADJ.DIFF.ASSY

OMIT	55	108X6N	1	PLUG
2	56	787054N	1	MAX.VOL.STOP "VAR.2" ASSY
5	57	787055N	1	MAX.VOL.STOP "VAR.5" ASSY

OMIT USE NITRILE SEALS

PUMP DESIGN SERIES

25	PAVC33
15	PAVC38

70	786952N	PRESS COMP.ASSY
71	786953N	TORQUE PLUG ASSY
72	786951N	TORQUE CONTROL ASSY
73	786956N	SERVO CONTROL ASSY
23	102X1	PIPE PLUG
24	108X4N	STRAIGHT PLUG
76	800599	ORIFICE PLUG
77	786635	ORIFICE FITTING

OMIT		<p>REFER TO SECTION X-X & SECTION Y-Y</p> <p>FOR LOCATION & COMBINATION OF ABOVE COMPONENTS</p>
A		
C		
H		
M		
ME		
S		
SE		
AM		
CM		
HM		
W		



Parker Hannifin Corporation
Hydraulic Pump/Motor Division
2745 Snapps Ferry Road
Greeneville, TN 37745 USA
Tel: (423) 639-8151
Fax: (423) 787-2418
Web site: www.parker.com/pumpmotor